

Distance plate MS32/MS40

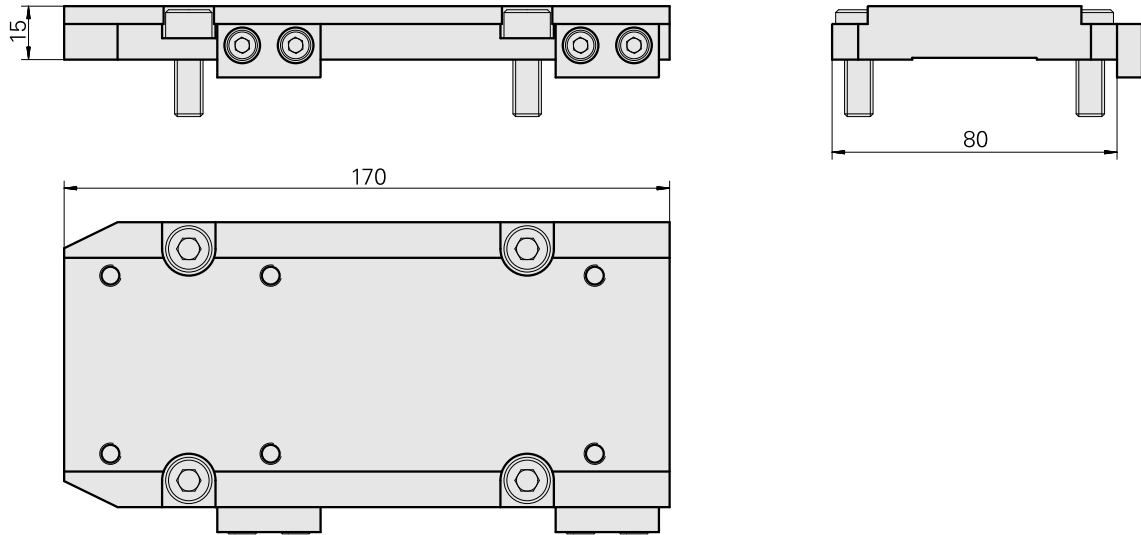
Technical data

| | |
|----------------------|-----------------|
| Slide system MS | MS32/MS40 |
| Drive | not live |
| Fixation MS | Splined key/pin |
| X [mm] | 15 (0.59") |
| Y [mm] | – |
| Z [mm] | – |
| INDEX TRAUB products | MS40-6 • MS40-8 |



Note

Only for gear unit 12095023



Documents

No downloads available for this product