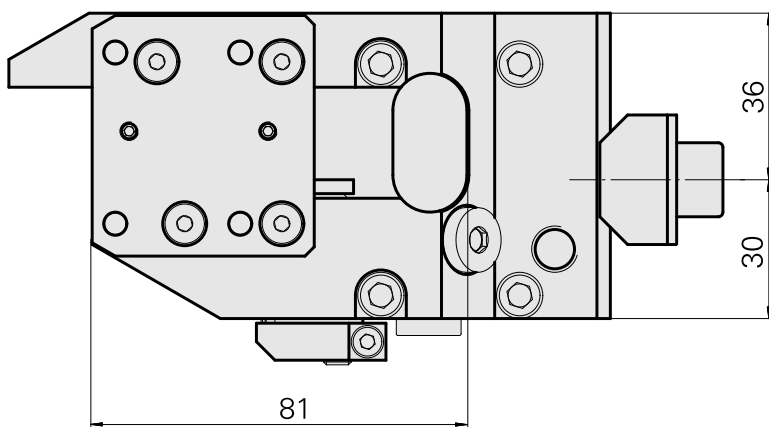
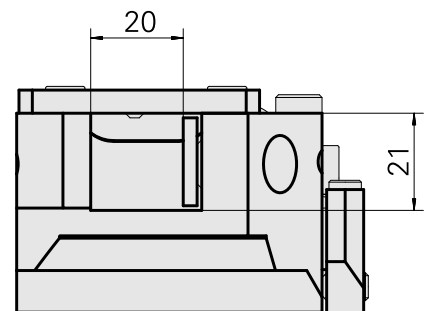
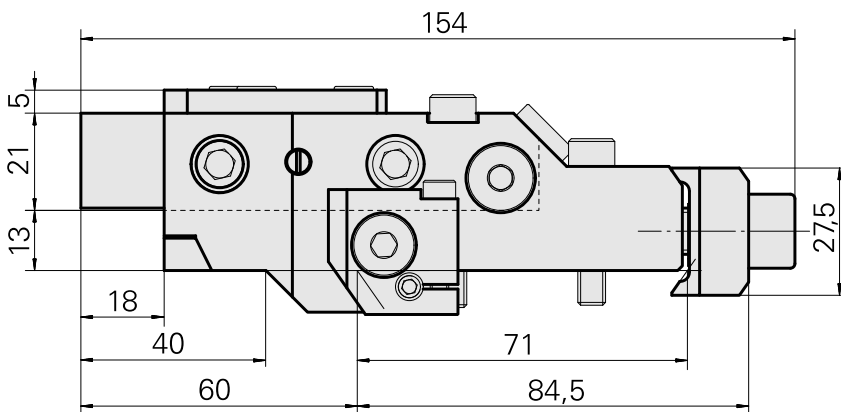


## Turning tool holder (G)

### Technical data

<b>Slide system MS</b>	MS16/MS22
<b>Drive</b>	not live
<b>Fixation MS</b>	Dovetail
<b>Cooling</b>	external
<b>Pressure</b>	20 bar
<b>Direction</b>	right-handed run
<b>Mounting</b>	Square 20x20
<b>X [mm]</b>	60 (2.36")
<b>Y [mm]</b>	–
<b>Z [mm]</b>	13 (0.51)
<b>INDEX TRAUB products</b>	A100 • MS22-6 • MS22-8 • MS24-6 • MS24-8



---

## Documents

No downloads available for this product

## Accessories

### Optional accessories

#### Tool holder accessories

#### [Plate, height 4 mm \(0.15"\)](#)

Product ID : 10508297

Previous product ID : W9990082

TH accessories  
category  
Compensation plate

Mounting  
Square 20x20