

Boring head for CN.. 1204..

Technical data

Mounting

for CN.. 1204..

Cooling

internal

Pressure

50 bar

X [mm]

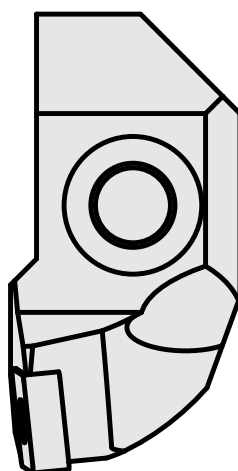
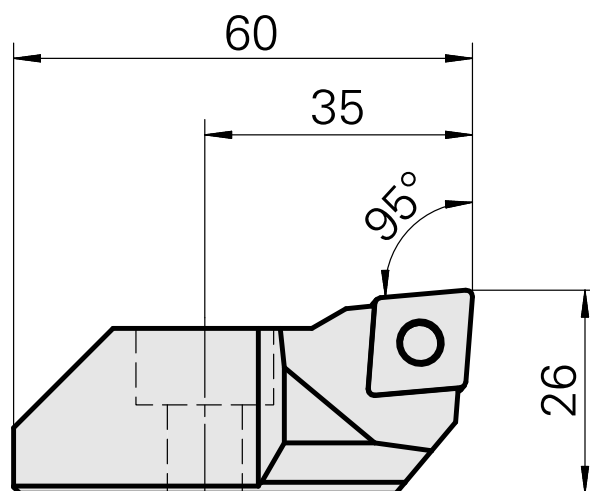
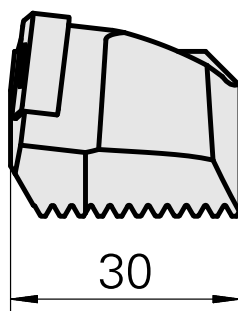
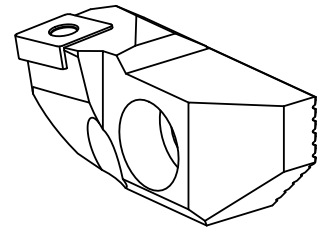
26 (1.02")

Z [mm]

35 (1.38)

INDEX TRAUB products

G220 • G420 • G520 • G320.2 •
G220.3 • TNX220.3



11171043
W9991320

INDEX

Documents

No downloads available for this product