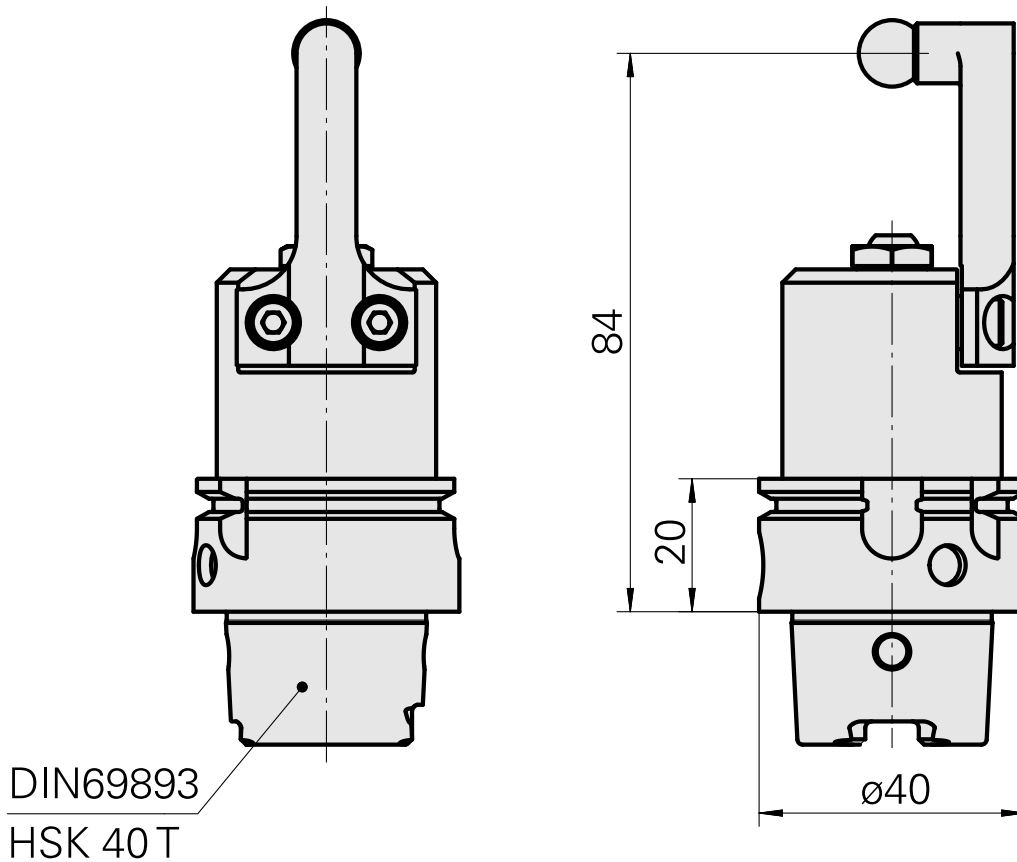
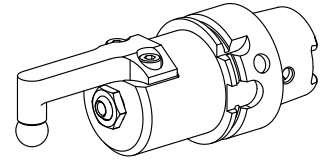


## Reference holder HSK 40 T

### Technical data

|                      |                                      |
|----------------------|--------------------------------------|
| Shank HSK            | HSK 40                               |
| Form HSK             | T                                    |
| Cooling              | external                             |
| Pressure             | 80 bar                               |
| X [mm]               | -                                    |
| INDEX TRAUB products | G200.2 • G220 • G220.3 •<br>TNX220.3 |



---

## Documents

No downloads available for this product

## Accessories

Required for operation

### [Socket wrench](#)

Product ID : 10532354

Previous product ID : WS7400.0010

TH accessories  
category  
Tool for KSS adapter

Mounting  
HSK 40 A/C

Optional accessories

### **Tool holder accessories**

### [Coolant adapter kit](#)

Product ID : 10581780

Previous product ID : WS7400.0020

TH accessories  
category  
Cooling lubricant  
transfer set

Mounting  
HSK 40 A/C