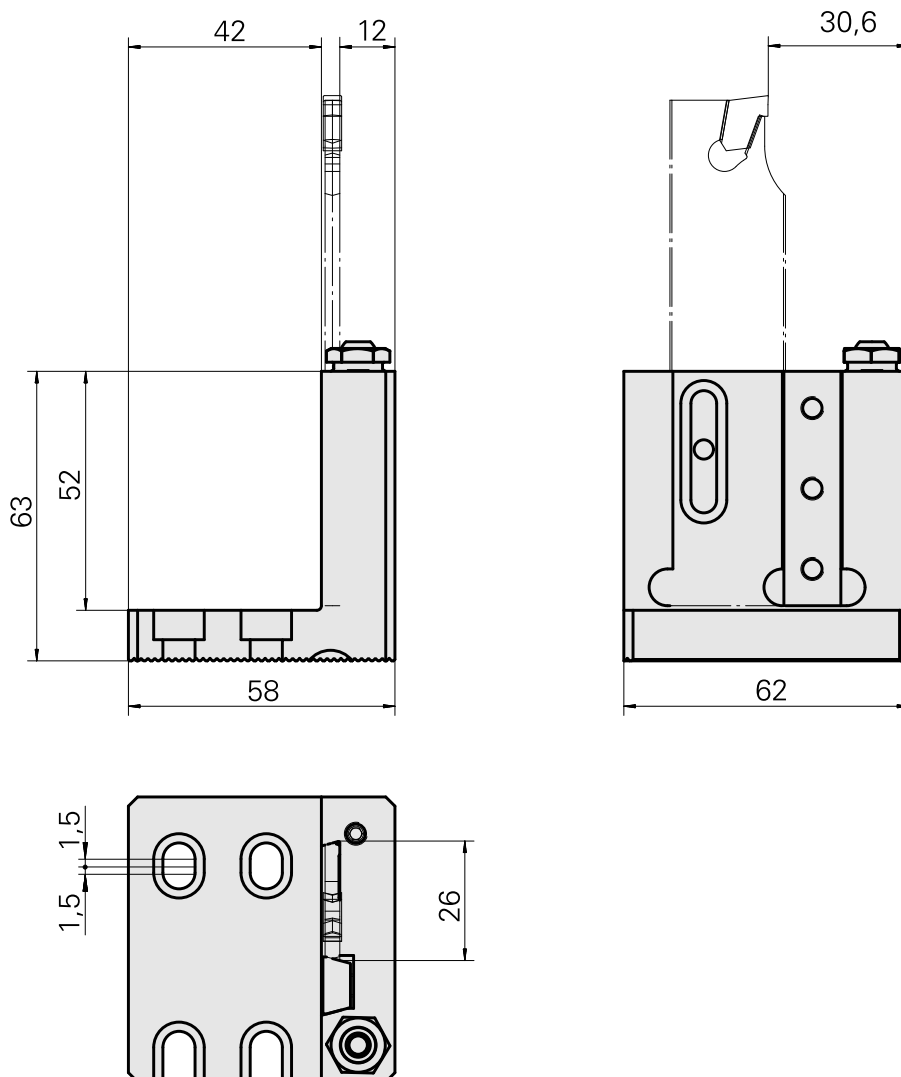
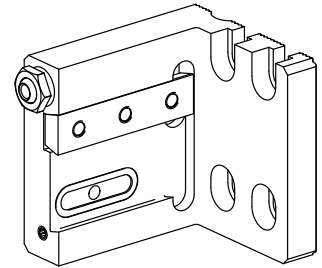


## Grooving tool holding block Trapezoid 26, vertically adjustable

### Technical data

Drive	not live
Cooling	external and internal
Pressure	80 bar
Mounting	Trapezoid 26x4
reversible 180°	no
X [mm]	63 (2.48")
Y [mm]	±1.5 (±0.06)
Z [mm]	58 (2.28)
INDEX TRAUB products	C42/65 • C200 • G200 • G200.2 • G220



---

## Documents

No downloads available for this product

## Accessories

### Optional accessories

#### Other accessories

##### [Bush 4x8x12](#)

Product ID : 10831938

Previous product ID : W02010.0002

---

##### [Hollow screw M12x1](#)

Product ID : 10757766

Previous product ID : W02013.0001

---

##### [Ball nozzle D8xM5](#)

Product ID : 10392450

Previous product ID : W02019.0002

---

##### [Locking screw M12x1](#)

Product ID : 10135400

Previous product ID : 910677

---

##### [Nozzle Kugel-D8](#)

Product ID : 10007891

Previous product ID : 904837

---