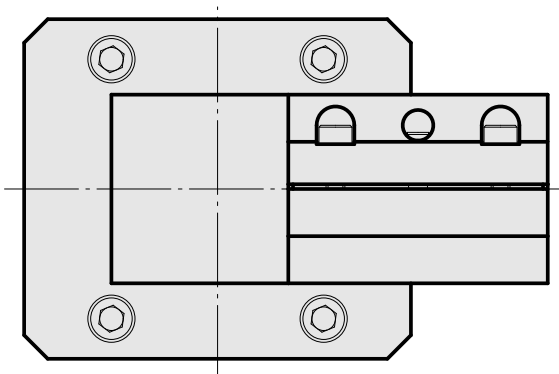
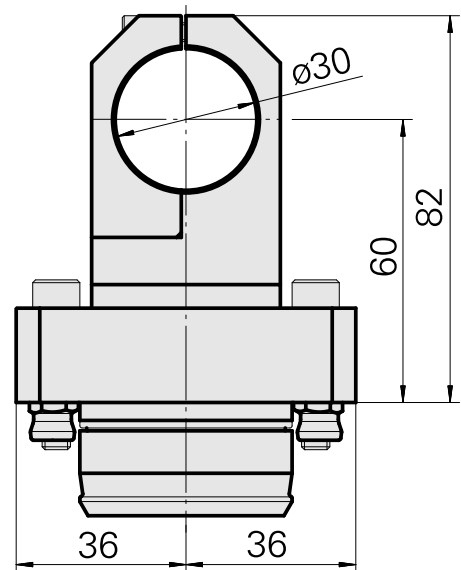
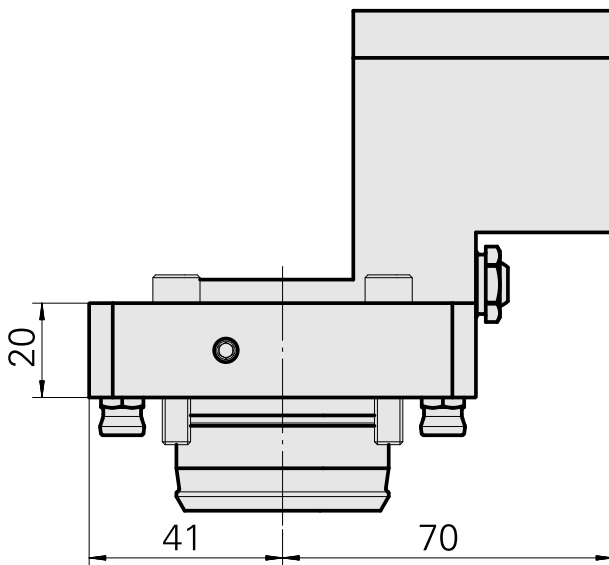
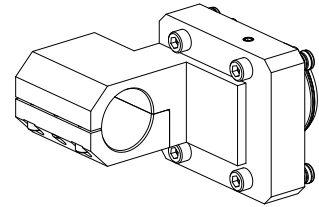


## Basic holder KPS 45 D30 (1.18 "), for the high-frequency spindle

### Technical data

Shank KPS	KPS 45
Drive	not live
Cooling	external
Mounting	D30
Pressure	80 bar
X [mm]	60 (2.36")
Y [mm]	-
Z [mm]	70 (2.76)
INDEX TRAUB products	TNL20 • TNL32-11 compact • TNL20-11 • TNL32 compact • TNK40.2-10 • TNL20.2 • TNK40.2



---

## Documents

No downloads available for this product

## Accessories

### Optional accessories

#### Schweiger

##### [Converter AC](#)

Product ID : 10512651

Previous product ID : 223483

Electrical assemblies Frequency converter	Length 105 Millimeter	Width 105 Millimeter	Height 229 Millimeter
Voltage 230 Volt	Frequency 50 Hertz (1/second) • 60 Hertz (1/second)	Voltage type AC~	Rated power W 250 Watt
Protection class IP40			

#### Other accessories

##### [high-frequency spindle](#)

Product ID : 11089866

Previous product ID : W9991264

---