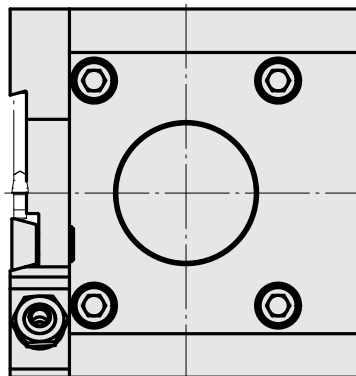
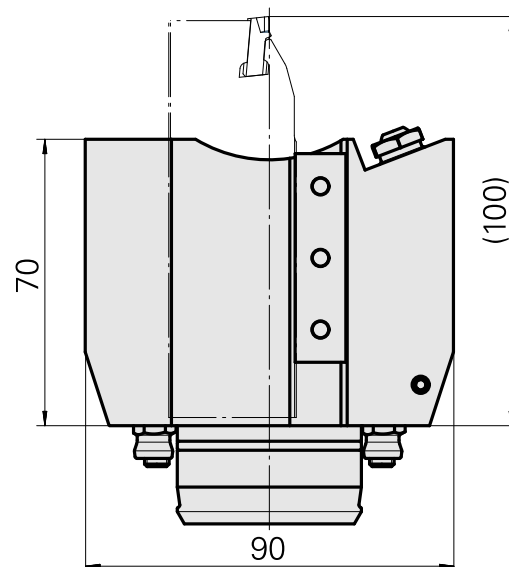
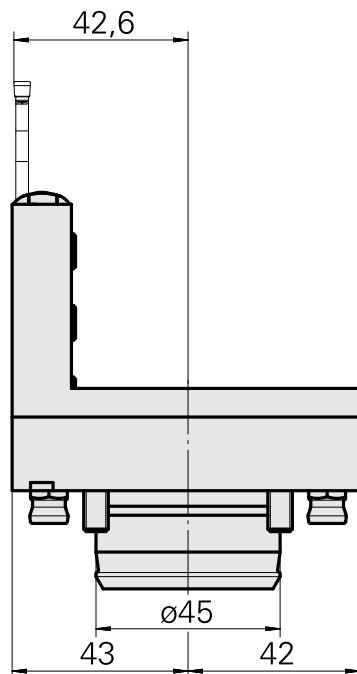
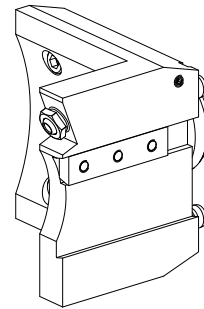


## Grooving tool holder KPS 45 Trapezoid 32

### Technical data

|                      |                                |
|----------------------|--------------------------------|
| Shank KPS            | KPS 45                         |
| Drive                | not live                       |
| Cooling              | external                       |
| Mounting             | Trapezoid 32x8                 |
| Pressure             | 80 bar                         |
| X [mm]               | 70 (2.76")                     |
| Y [mm]               | -                              |
| Z [mm]               | -40 (-1.57)                    |
| INDEX TRAUB products | ABC65 • TNK42/65 • C200 Tandem |



## Documents

No downloads available for this product

## Accessories

Optional accessories

### Other accessories

#### [Bush 4x8x12](#)

Product ID : 10831938

Previous product ID : W02010.0002

---

#### [Ball nozzle D8xM5](#)

Product ID : 10392450

Previous product ID : W02019.0002

---

#### [Hollow screw M12x1](#)

Product ID : 10757766

Previous product ID : W02013.0001

---

#### [Nozzle Kugel-D8](#)

Product ID : 10007891

Previous product ID : 904837

---