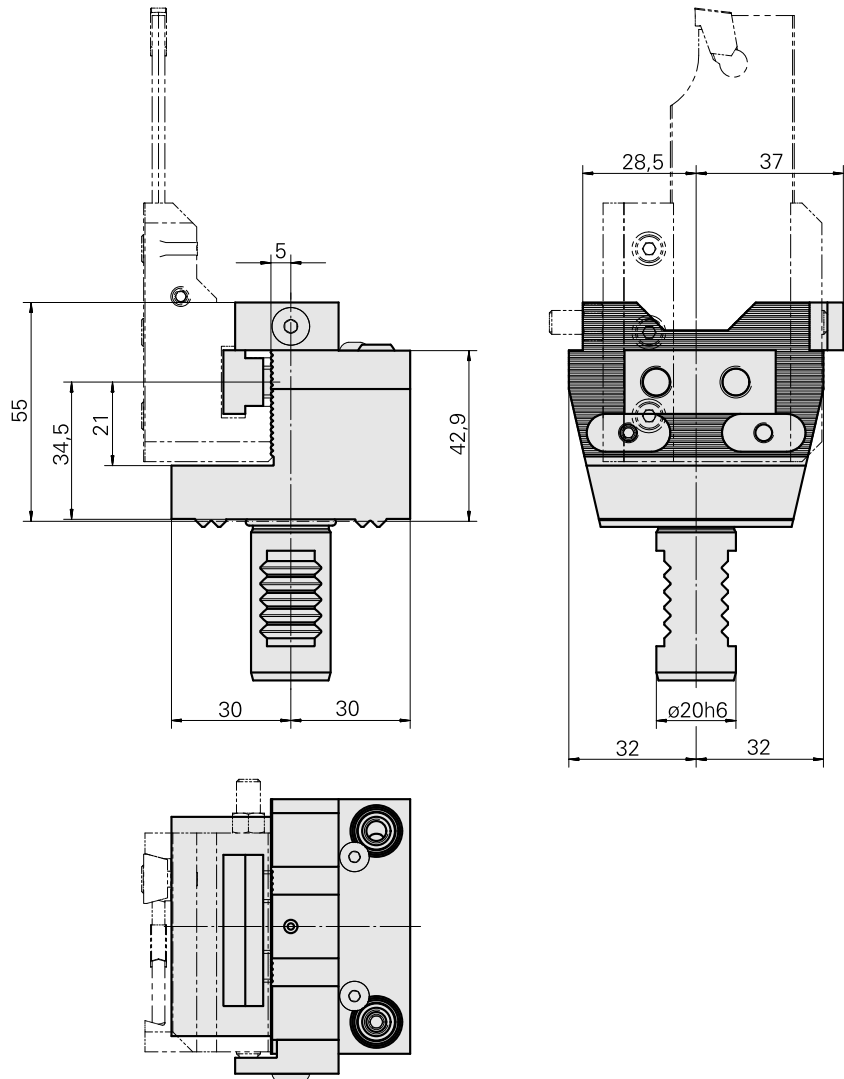
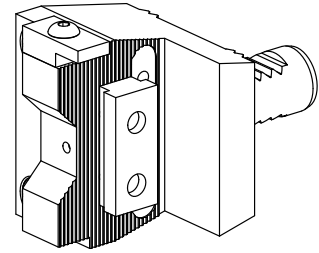


Basic holder VDI 20, vertically adjustable

Technical data

Shank VDI	VDI 20
Drive	not live
Fixation VDI	W serration
Pressure	20 bar
reversible 180°	yes
X [mm]	35 (1.38")
Y [mm]	—
Z [mm]	5 (0.20)
INDEX TRAUB products	C100



Documents

No downloads available for this product

Accessories

Optional accessories

Tool holders with VDI shank

[Grooving tool holding block Trapezoid 32, vertically adjustable](#)

Product ID : 10361566

Previous product ID : W9990016

Drive not live	Cooling external and internal	Pressure 20 bar	Mounting Trapezoid 32x5
X [mm] 45 (1.77")	Y [mm] –	Z [mm] 32 (1.26)	INDEX TRAUB products C100 • TNX65/42

[Grooving tool holding block Trapezoid 32, vertically adjustable](#)

Product ID : 10818538

Previous product ID : W9990017

Drive not live	Cooling external and internal	Pressure 20 bar	Mounting Trapezoid 32x5
X [mm] 45 (1.77")	Y [mm] –	Z [mm] 32 (1.26)	INDEX TRAUB products C100 • TNX65/42

[Grooving tool holding block Trapezoid 32, vertically adjustable](#)

Product ID : 10553544

Previous product ID : W9990021

Drive not live	Cooling external and internal	Pressure 20 bar	Mounting Trapezoid 32x5
X [mm] 45 (1.77")	Y [mm] –	Z [mm] 32 (1.26)	INDEX TRAUB products C100 • TNX65/42

Grooving tool holding block Trapezoid 32, vertically adjustable

Product ID : 10110028

Previous product ID : W9990022

Drive not live	Cooling external and internal	Pressure 80 bar	Mounting Trapezoid 32x5
X [mm] 45 (1.77")	Y [mm] -	Z [mm] 32 (1.26)	INDEX TRAUB products C100 • TNX65/42

Tool holder accessories

Coolant tube, L=100 mm (3.93")

Product ID : 10346684

Previous product ID : W9990559

TH accessories category Cooling lubricant tube	Mounting M6
--	----------------

Other accessories

CLOSING PLUG D 10,5 x 7,5

Product ID : 10908863

Previous product ID : W67530.1212

Lens head screw

Product ID : 10344546

Previous product ID : 410243.0406

BALL SPRAY NOZZLE 12D/M6

Product ID : 10602750

Previous product ID : 474550.0101
