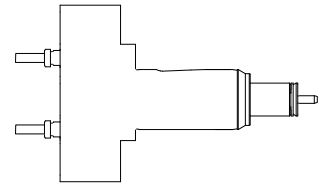


---

## Drilling tool holder Shank 40 D20 (0.79, triple)

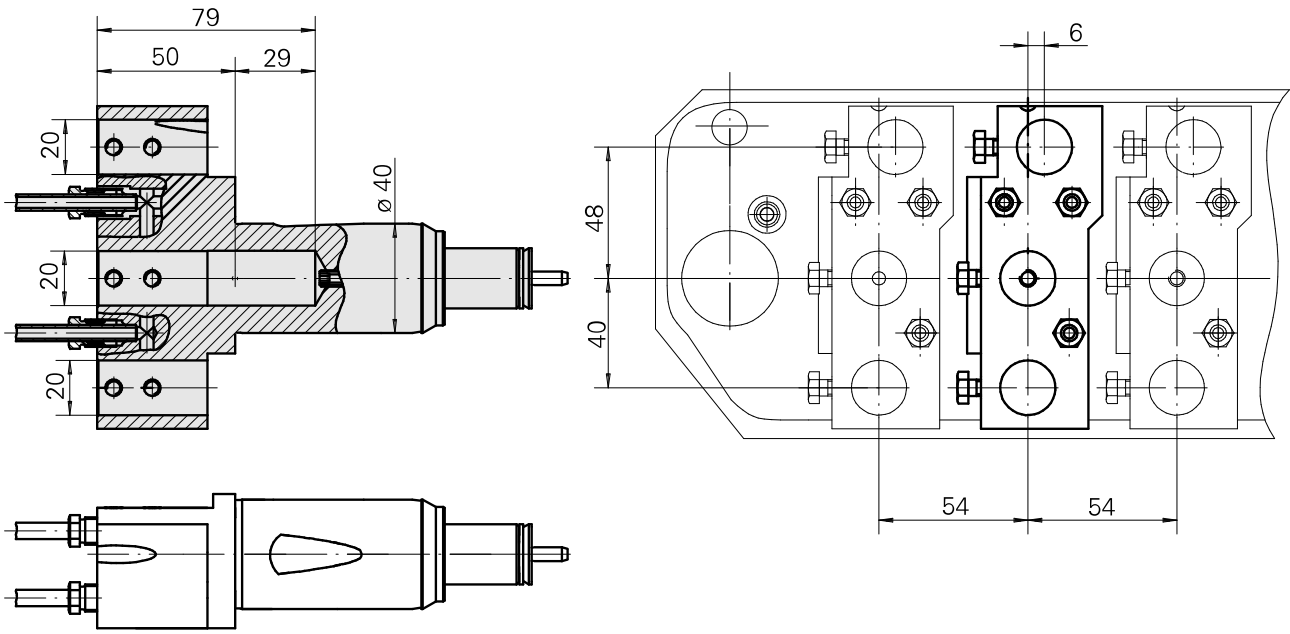
### Technical data

<b>Shank TNL</b>	Shank 40
<b>Drive</b>	not live
<b>Cooling</b>	external
<b>Pressure</b>	120 bar
<b>Mounting</b>	D20
<b>INDEX TRAUB products</b>	TNK36 • TNL26



### Note

Can only be used on stations 2-4 of the back working unit with a Y axis!  
Internal high-pressure coolant supply only available for the center mounting.



## **Documents**

No downloads available for this product

## **Accessories**

Optional accessories

### **Other accessories**

[Mounting sleeve with collar D20](#)

Product ID : 10063939

Previous product ID : W68510.04--

---