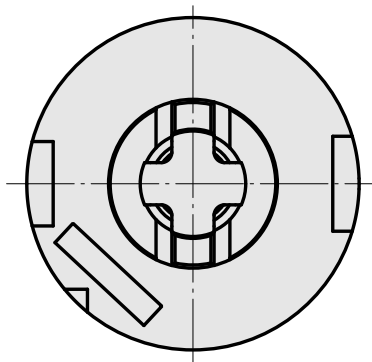
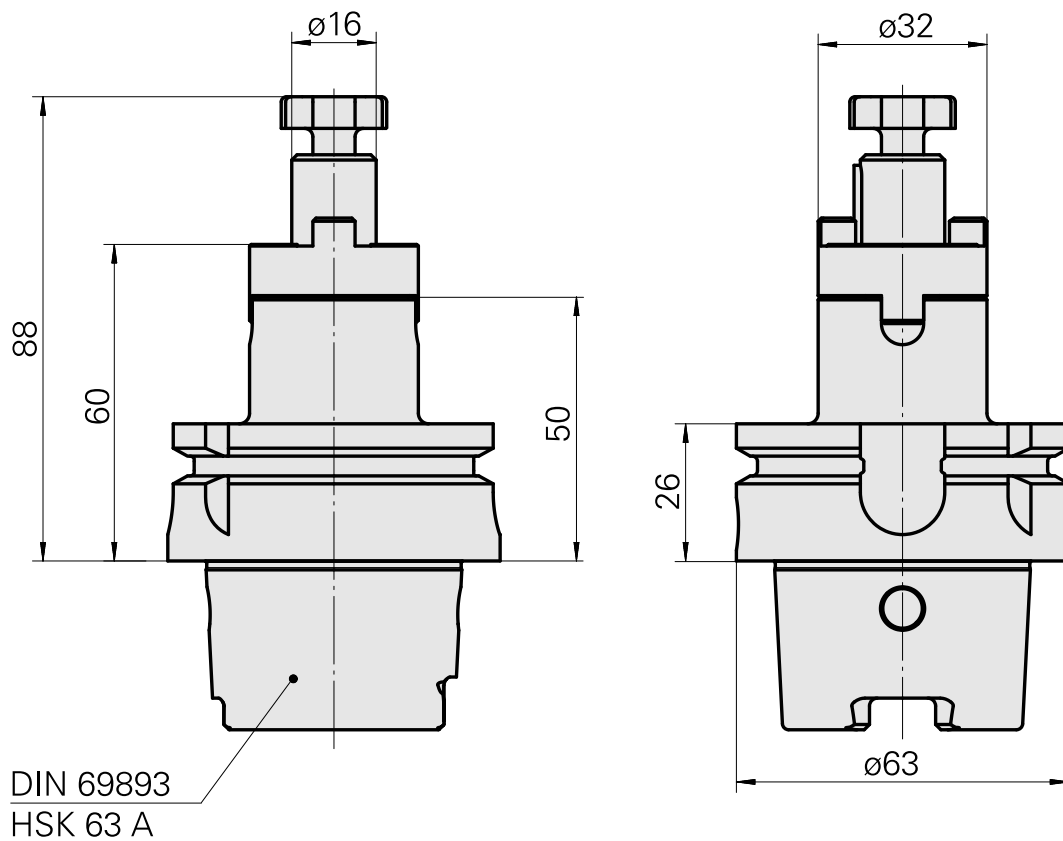
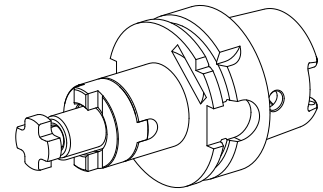


Milling cutter holder HSK 63 A Milling s

Technical data

Shank HSK	HSK 63
Form HSK	A
Mounting	Milling shaft D16
X [mm]	60 (2.36")
INDEX TRAUB products	G220 • R300 • G420 • G520 • G320.2 • G220.3 • TNX220.3 • G320.3 compact



Documents

No downloads available for this product

Accessories

Required for operation

Screw

Product ID : 10381768

Previous product ID : 250122.0820

TH accessories category	Mounting M8
Cutter tightening screw	

Socket wrench

Product ID : 10352082

Previous product ID : WS7800.0010

TH accessories category	Mounting HSK 63 A/C
Tool for KSS adapter	

Optional accessories

Tool holder accessories

Coolant adapter kit HSK-A63

Product ID : 11074450

Previous product ID : WS7800.0020

TH accessories category	Mounting HSK 63 A/C
Cooling lubricant transfer set	

[Coolant adapter kit HSK63, max. 120 bar](#)

Product ID : 12024087
Previous product ID :

TH accessories category Cooling lubricant transfer set	Mounting HSK 63 A/C
---	------------------------

[mill arbor wrench](#)

Product ID : 10007866
Previous product ID : 203020.1160

TH accessories category Tool	Mounting Milling shaft D16	Tools for Collet chucks Mill arbor wrench
------------------------------------	-------------------------------	--

Other accessories

[Ring](#)

Product ID : 10398855
Previous product ID : 251390.----

[Ring](#)

Product ID : 10169490
Previous product ID : 251391.----
