

## Boring head for DN.. 1506..

### Technical data

**Mounting**

for DN.. 1506..

**Cooling**

internal

**Pressure**

50 bar

**X [mm]**

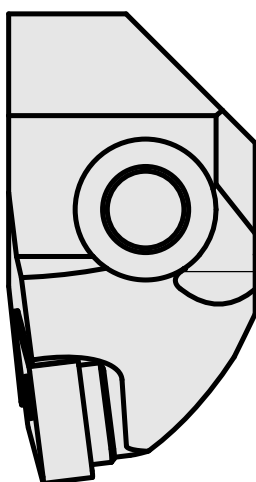
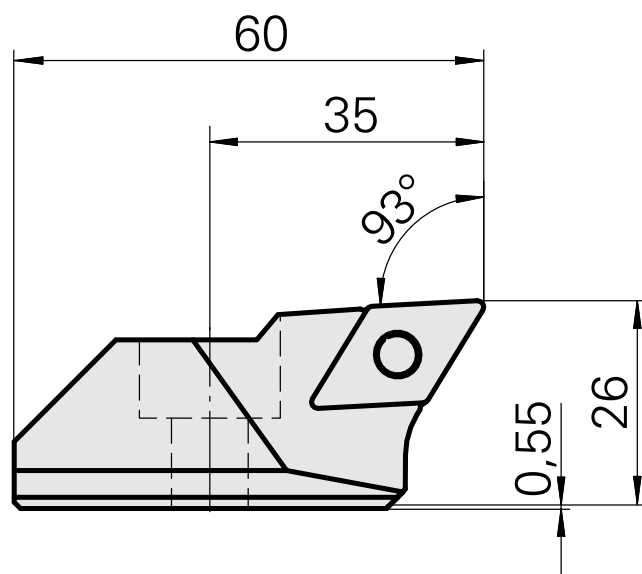
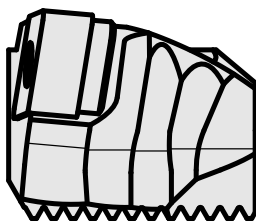
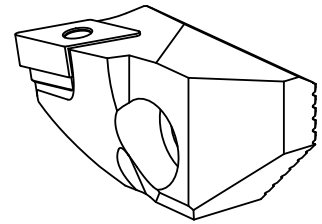
26 (1.02")

**Z [mm]**

35 (1.38)

**INDEX TRAUB products**

G420 • G520 • G320.2 • G220.3 •  
TNX220.3



## **Documents**

No downloads available for this product