

WFB 20-12 Milling shaft D10

Technical data

TH accessories category

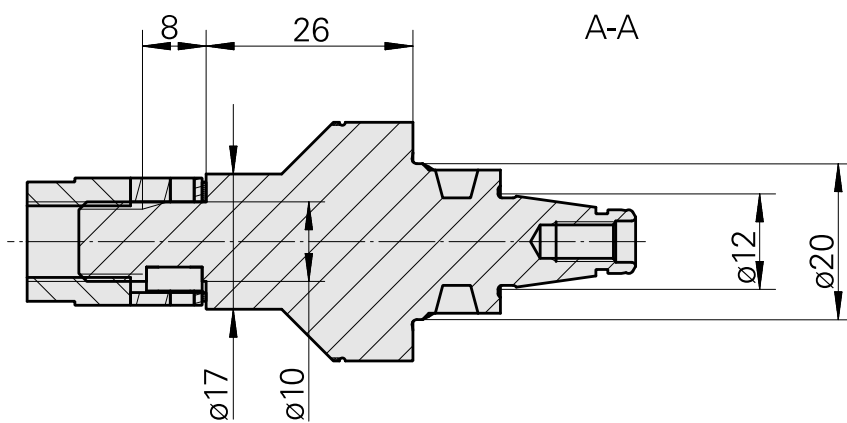
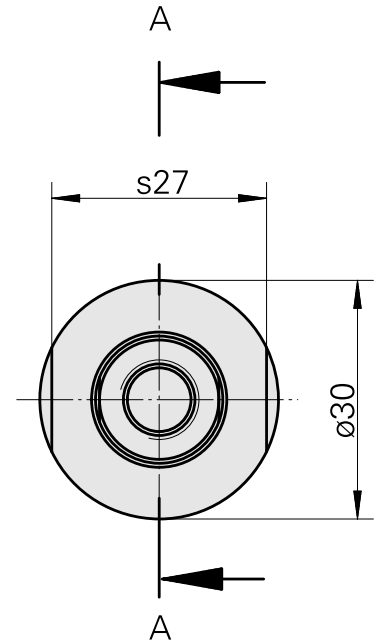
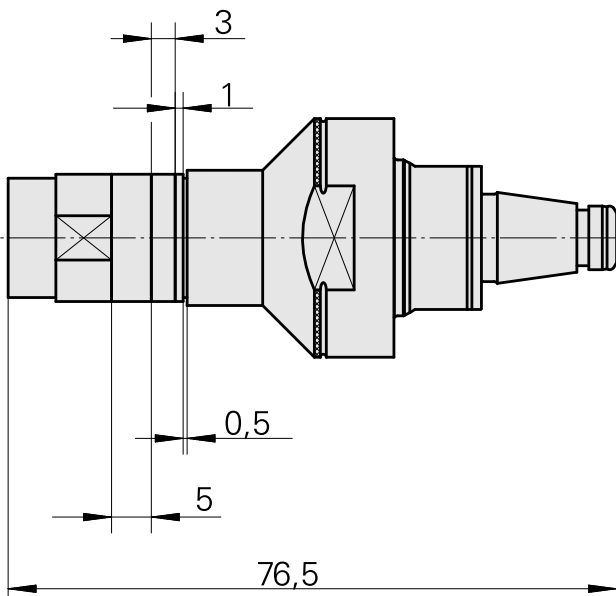
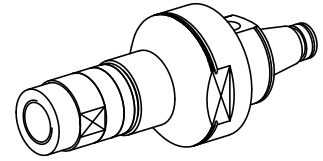
WFB 20-12

Mounting

Milling shaft D10

Quick change inserts

mill arbor mounting



Documents

No downloads available for this product

Accessories

Optional accessories

Other accessories

[Ring](#)

Product ID : 10398855

Previous product ID : 251390.----

[Ring](#)

Product ID : 10169490

Previous product ID : 251391.----
