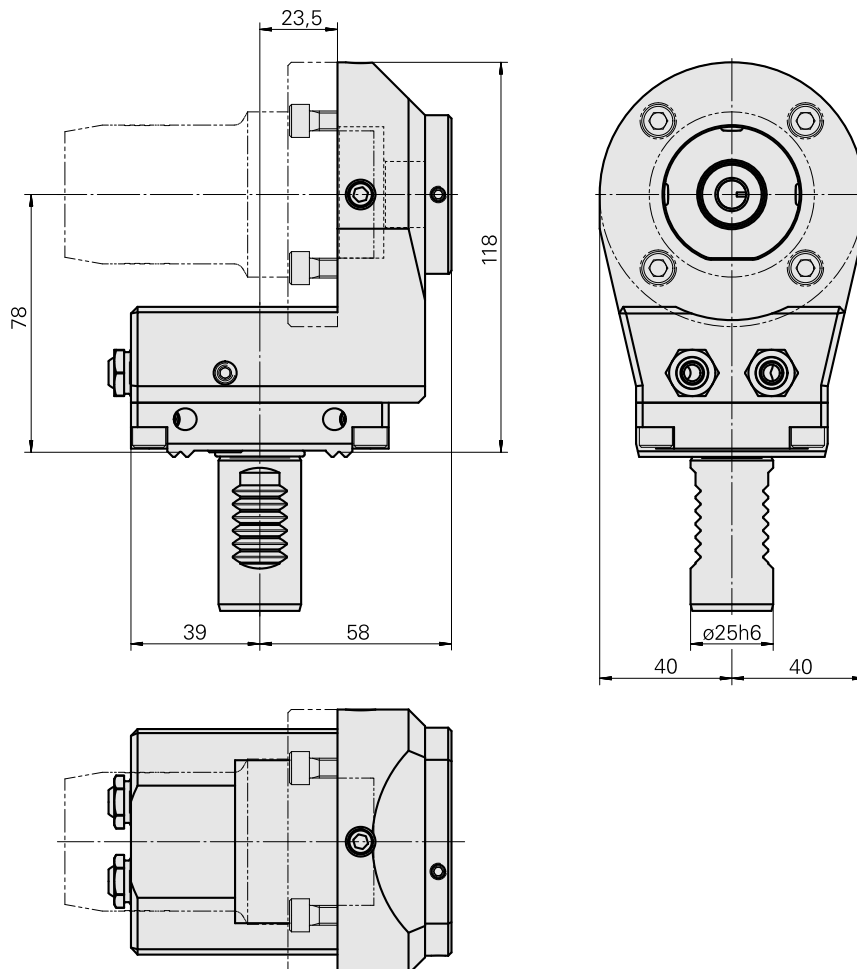
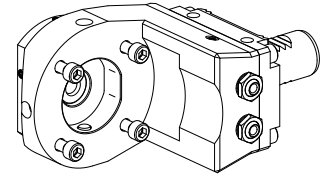


Basic holder VDI 25

Technical data

Shank VDI	VDI 25
Drive	not live
Fixation VDI	W serration
Cooling	external and internal
Pressure	80 bar
reversible 180°	yes
X [mm]	78 (3.07")
Y [mm]	–
Z [mm]	-23.5 (-0.93)
INDEX TRAUB products	C42/65 • G160 • ABC • C100 • C200 • G200 • G200.2 • G220 • ABC.2 • G220.3 • TNX220.3 • TNX200.3 • G200.3 • TNX160.2



Documents

Product notes

[EN \(pdf\)](#)

[FR \(pdf\)](#)

[DE \(pdf\)](#)

Accessories

Optional accessories

Tool holders with VDI shank

[Drill holding block Hydraulic expansion](#)

Product ID : 10339021

Previous product ID : W9990315

Drive not live	Fixation VDI none	Cooling external and internal	Pressure 80 bar
Mounting Hydraulic expansion chuck D12	X [mm] 77.5 (3.05")	Y [mm] -	Z [mm] -
INDEX TRAUB products G160 • ABC • C100 • C200 • G200 • G200.2 • G220 • ABC.2			

[Drill holding block Hydraulic expansion](#)

Product ID : 10090979

Previous product ID : W9990314

Drive not live	Fixation VDI none	Cooling external and internal	Pressure 80 bar
Mounting Hydraulic expansion chuck D20	X [mm] 83 (3.27")	Y [mm] -	Z [mm] -
INDEX TRAUB products G160 • ABC • C100 • C200 • G200 • G200.2 • G220 • ABC.2			

Other accessories

10884330
W1250073

INDEX

Sealing kit

Product ID : 12181692
Previous product ID :

PLUG 10,5 D MIT O-RING 479105.0801

Product ID : 10823291
Previous product ID : W67221.4198

Coolant Nozzle

Product ID : 11031912
Previous product ID : W67500.3208

BUSHING 10 D x 6 D x 12,5

Product ID : 10670360
Previous product ID : W67530.0824

HOLLOW SCREW M14x1 M14x1

Product ID : 10105238
Previous product ID : W67530.0818

Nozzle M6 mit D1,6

Product ID : 10147428
Previous product ID : W00019.0216
