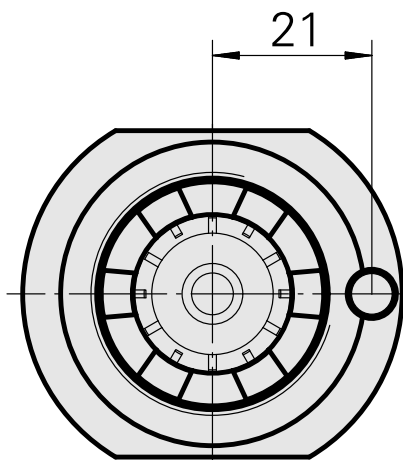
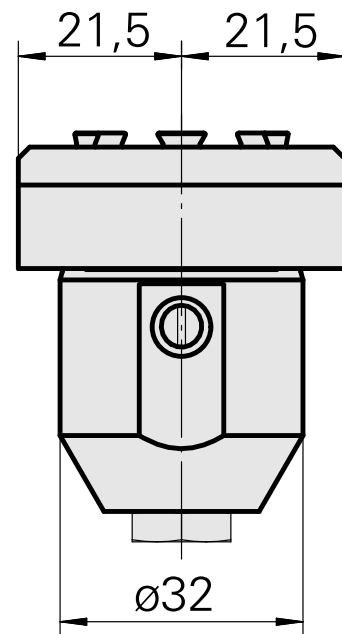
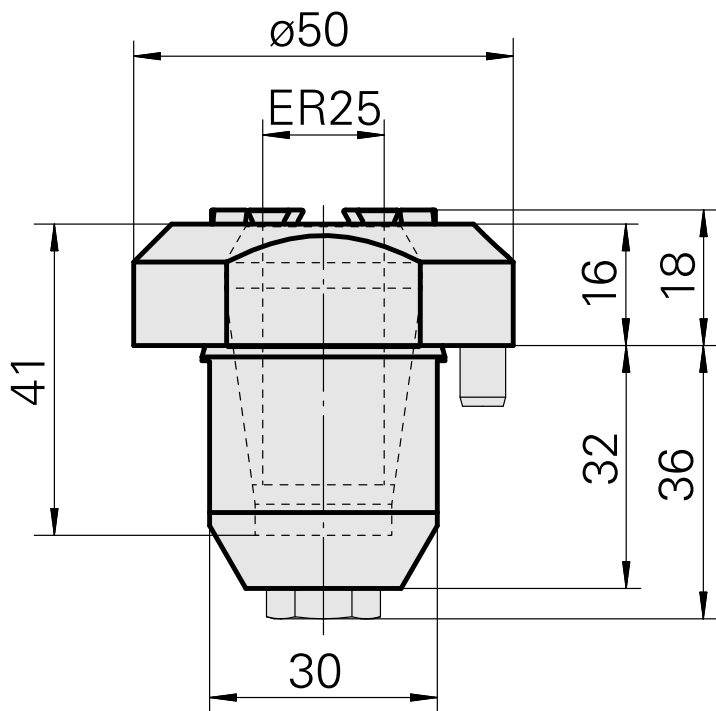
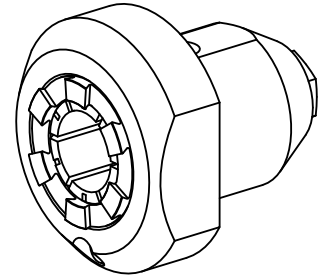


Drill holding block ER25

Technical data

| | |
|----------------------|------------------|
| Drive | not live |
| Fixation MS | Shank D32 |
| Mounting | ER25 |
| X [mm] | 16 (0.63") |
| Y [mm] | - |
| Z [mm] | - |
| INDEX TRAUB products | MS52C • MS52-6.3 |



Documents

No downloads available for this product

Accessories

Required for operation

[Spanner](#)

Product ID : 10179444

Previous product ID : 490219.3251

| | | | |
|------------------------------------------------|------------------|----------------------|----------------------------------|
| TH accessories category Tool | Mounting ER25 | Collet type ER 25 | Clamping nut type Male thread |
| Tools for Collet chucks Clamping nut wrench | | | |

Optional accessories

Tool holder accessories

[Clamping nut](#)

Product ID : 10630063

Previous product ID : 901939.5251

| | | | |
|-----------------------------------------|------------------|----------------------|----------------------------------|
| TH accessories category Clamping nut | Mounting ER25 | Collet type ER 25 | Clamping nut type Male thread |
|-----------------------------------------|------------------|----------------------|----------------------------------|

Other accessories

[Clamping collet](#)

Product ID : 10206464

Previous product ID : 901930.3---

[tapping tool collet ET-1-25](#)

Product ID : 10191234

Previous product ID : 3224--

10844136
W9990297

INDEX

[tapping tool collet](#)

Product ID : 10256515
Previous product ID : WZ9990.9507F

[Collet chuck](#)

Product ID : 10029756
Previous product ID : W999067-

[Clamping collet, sealed](#)

Product ID : 10698406
Previous product ID : W999085-
