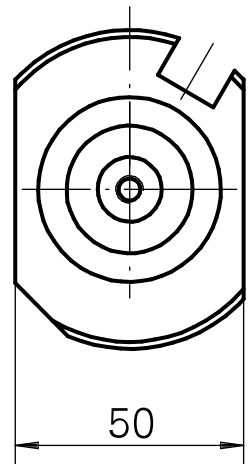
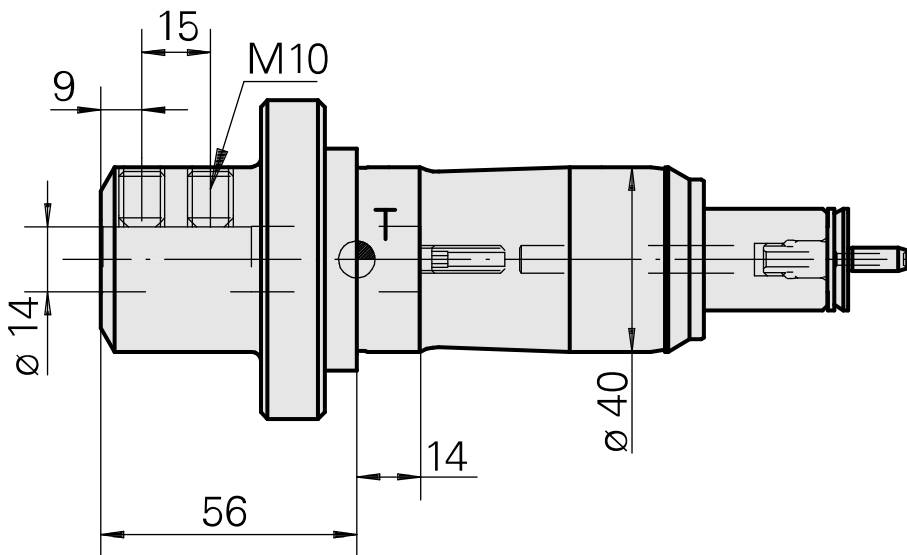
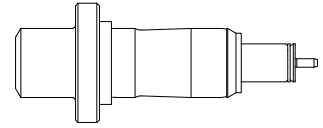


Drilling tool holder Shank 40 D14 (0.55)

Technical data

Shank TNL	Shank 40
Drive	not live
Cooling	internal
Pressure	120 bar
Mounting	D14
INDEX TRAUB products	TNK36 • TNL26



10839057
984768

Documents

No downloads available for this product