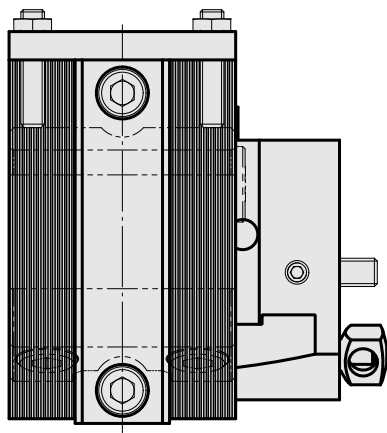
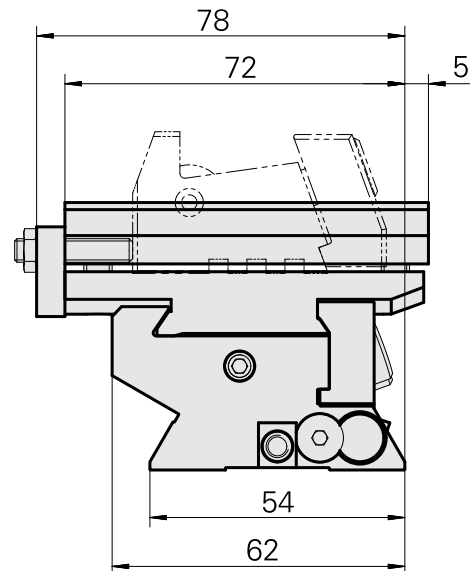
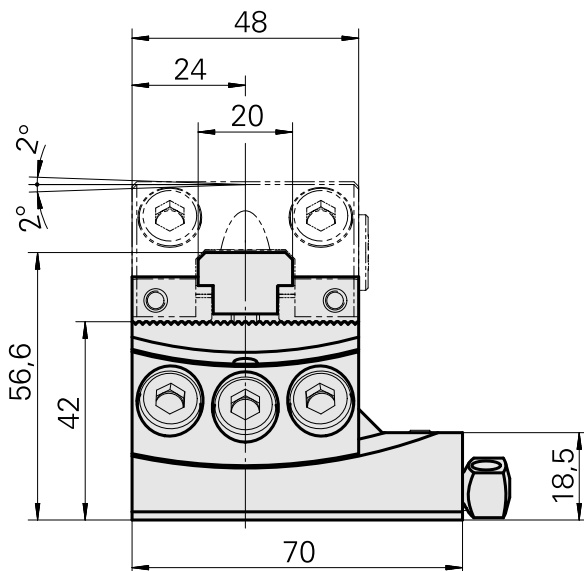
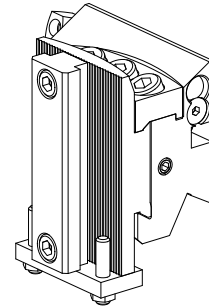


Basic holder Dovetail (ABC), $\pm 2^\circ$

Technical data

| | |
|----------------------|----------------|
| Shank VDI | Dovetail (ABC) |
| Drive | not live |
| Fixation VDI | none |
| Pressure | 20 bar |
| reversible 180° | no |
| X [mm] | 42 (1.65") |
| Y [mm] | - |
| Z [mm] | 0 0 |
| INDEX TRAUB products | ABC • ABC.2 |



Documents

No downloads available for this product

Accessories

Optional accessories

Tool holders with VDI shank

[Grooving tool holding block, vertically adjustable](#)

Product ID : 10607061

Previous product ID : W9990055

| | | | |
|-------------------|---------------------|---|----------------------|
| Drive not live | Cooling external | Pressure 20 bar | X [mm] 30 (1.18") |
| Y [mm] - | Z [mm] - | INDEX TRAUB products A100 • C42/65 • G160 • ABC • C100 • C200 • G200 • G200.2 • G220 • G250 • ABC.2 | |

[Grooving tool holding block, vertically adjustable](#)

Product ID : 10463581

Previous product ID : W9990065

| | | | |
|-------------------|---------------------|---|----------------------|
| Drive not live | Cooling external | Pressure 20 bar | X [mm] 38 (1.50") |
| Y [mm] - | Z [mm] - | INDEX TRAUB products A100 • C42/65 • G160 • ABC • C100 • C200 • G200 • G200.2 • G220 • G250 • ABC.2 | |

Other accessories

[BALL 10 G10 N](#)

Product ID : 10147017

Previous product ID : 420800.1000

10792715
W8900007

INDEX

Tube

Product ID : 10694891

Previous product ID : W61012.0110
