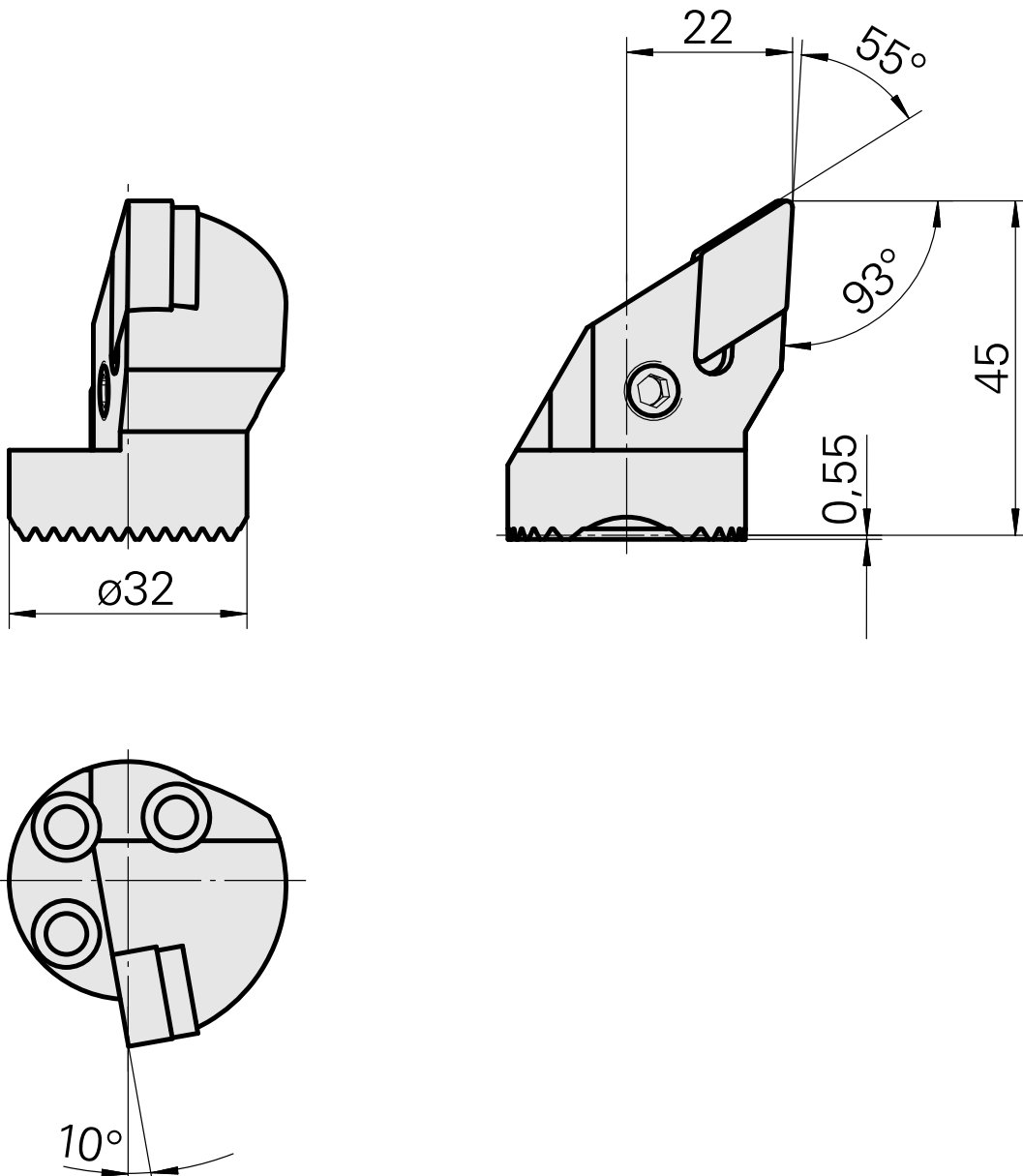


## Boring head for DN.. 1506..

### Technical data

Mounting	for DN.. 1506..
Cooling	internal
Pressure	50 bar
X [mm]	45 (1.77")
Z [mm]	22 (0.87)
INDEX TRAUB products	G220.3 • G220 • R200 • TNX65/42



10748351  
W9990282

**INDEX**

---

## Documents

No downloads available for this product

## Accessories

Required for operation

[Chucking parts 315004](#)

Product ID : 10023015

Previous product ID : W00014.0022

---