

Compensation holder

Technical data

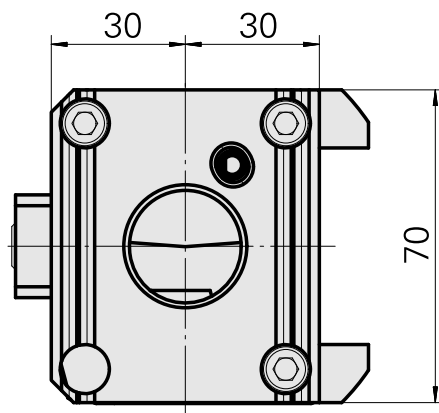
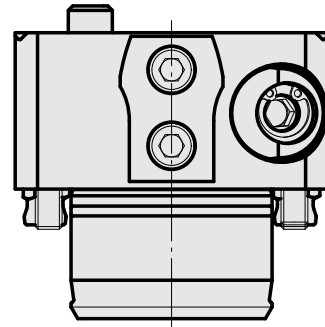
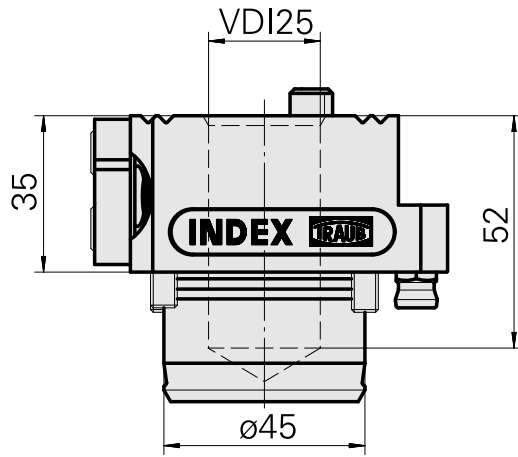
| | |
|-----------------------------|------------------|
| Shank KPS | KPS 45 |
| Drive | not live |
| Cooling | internal |
| Mounting | VDI 25 |
| Pressure | 80 bar |
| reversible 180° | no |
| X [mm] | 35 (1.38") |
| Y [mm] | – |
| Z [mm] | – |
| INDEX TRAUB products | ABC65 • TNK42/65 |



Note

When using VDI tool holders with a height of more than 60 mm (in the X direction), a collision check has to be carried out!

When using VDI tool holders with a height of more than 60 mm (in the X direction), a collision check has to be carried out!



Documents

No downloads available for this product