

## Mount

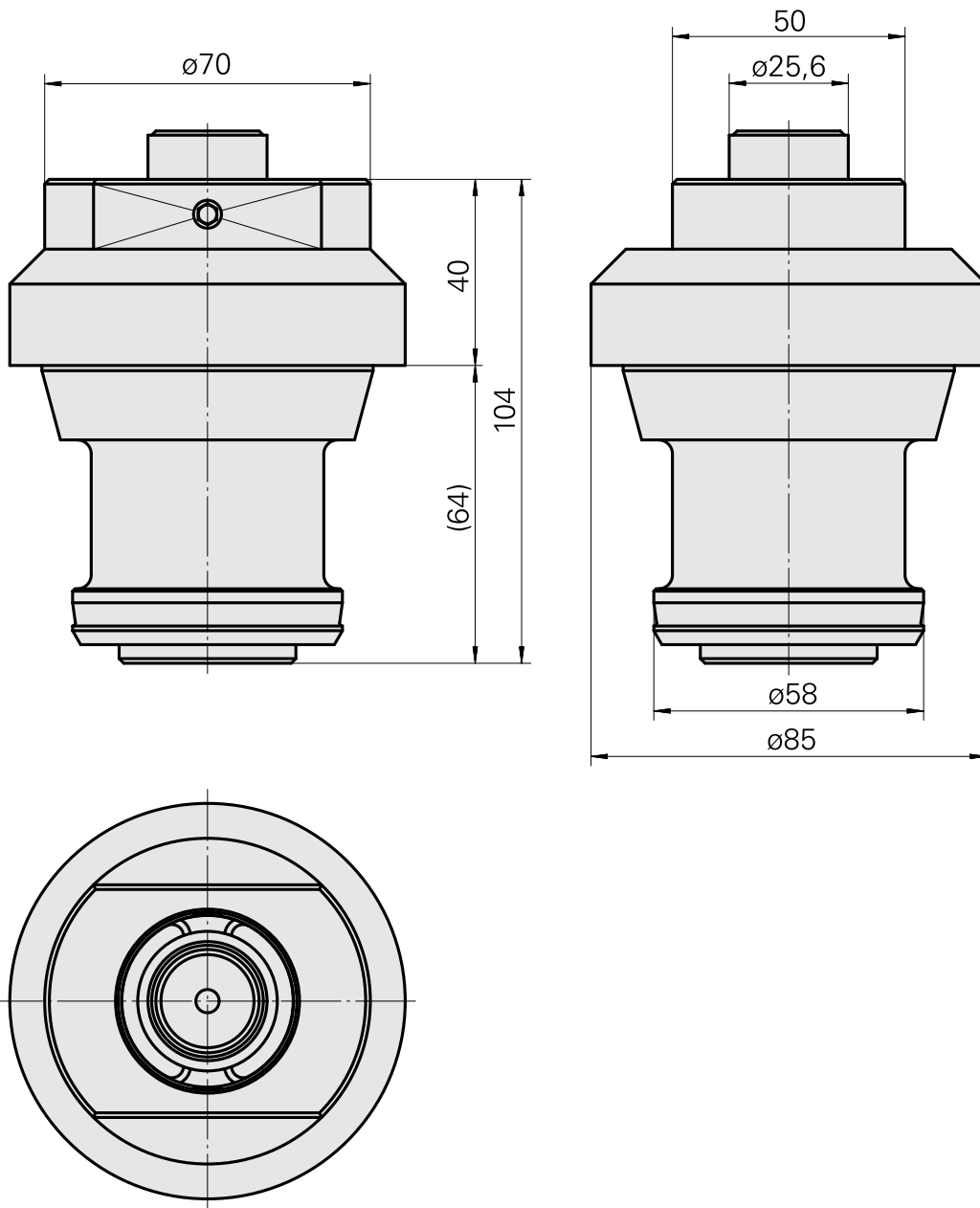
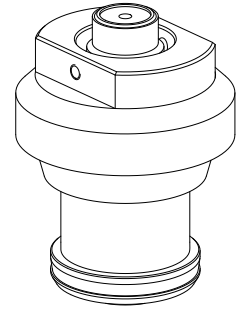
### Technical data

TH accessories category

Adapter pre-adjustment block

Tool mounting

HSK 50



## **Documents**

No downloads available for this product