

## WFB 20-12 D20

### Technical data

TH accessories category

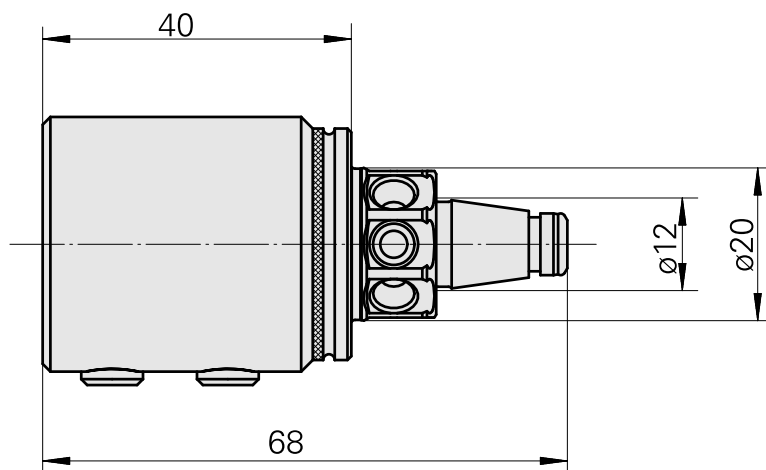
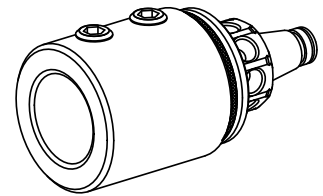
WFB 20-12

Mounting

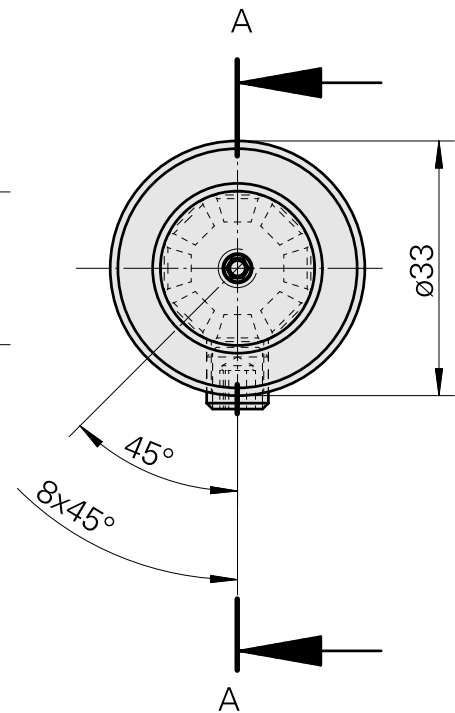
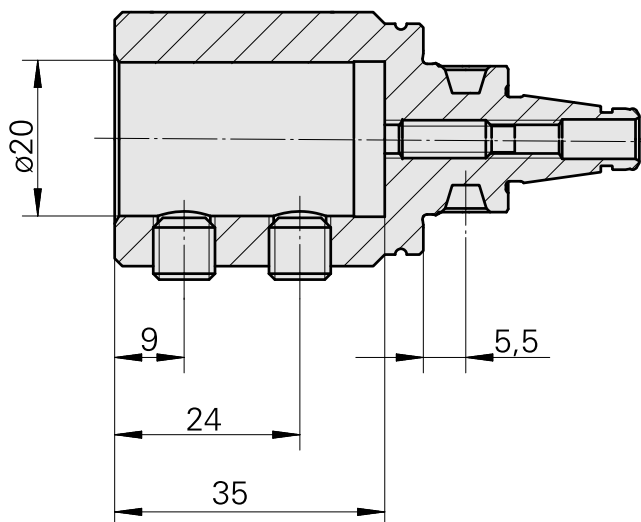
D20

Quick change inserts

Boring tool holder



A-A



## Documents

No downloads available for this product

## Accessories

Optional accessories

### Tool holder accessories

#### [Mounting sleeve with collar D20/ 3mm](#)

Product ID : 10908982

Previous product ID : W68511.0403

TH accessories  
category  
Mounting sleeve with  
collar

Mounting  
D20

Tool mounting  
3mm

#### [Mounting sleeve with collar D20/ 4mm](#)

Product ID : 10215398

Previous product ID : W68511.0404

TH accessories  
category  
Mounting sleeve with  
collar

Mounting  
D20

Tool mounting  
4mm

#### [Mounting sleeve with collar D20/ 5mm](#)

Product ID : 10832261

Previous product ID : W68510.0405

TH accessories  
category  
Mounting sleeve with  
collar

Mounting  
D20

Tool mounting  
5mm

[Mounting sleeve with collar D20/ 6mm](#)

Product ID : 10048953  
Previous product ID : W68510.0406

TH accessories category Mounting sleeve with collar	Mounting D20	Tool mounting 6mm
--------------------------------------------------------	--------------	-------------------

[Mounting sleeve with collar D20/ 7mm](#)

Product ID : 10224332  
Previous product ID : W68510.0407

TH accessories category Mounting sleeve with collar	Mounting D20	Tool mounting 7mm
--------------------------------------------------------	--------------	-------------------

[Mounting sleeve with collar D20/ 8mm](#)

Product ID : 10184191  
Previous product ID : W68510.0408

TH accessories category Mounting sleeve with collar	Mounting D20	Tool mounting 8mm
--------------------------------------------------------	--------------	-------------------

[Mounting sleeve with collar D20/ 10mm](#)

Product ID : 10258187  
Previous product ID : W68510.0410

TH accessories category Mounting sleeve with collar	Mounting D20	Tool mounting 10mm
--------------------------------------------------------	--------------	--------------------

[Mounting sleeve with collar D20/ 11mm](#)

Product ID : 11010085  
Previous product ID : W68510.0411

TH accessories category Mounting sleeve with collar	Mounting D20	Tool mounting 11mm
--------------------------------------------------------	--------------	--------------------

---

[Mounting sleeve with collar D20/ 12mm](#)

Product ID : 10584331

Previous product ID : W68510.0412

TH accessories category Mounting sleeve with collar	Mounting D20	Tool mounting 12mm
--------------------------------------------------------	-----------------	-----------------------

[Mounting sleeve with collar D20/ 14mm](#)

Product ID : 10681512

Previous product ID : W68510.0414

TH accessories category Mounting sleeve with collar	Mounting D20	Tool mounting 14mm
--------------------------------------------------------	-----------------	-----------------------

[Mounting sleeve with collar D20/ 15mm](#)

Product ID : 10804219

Previous product ID : W68510.0415

TH accessories category Mounting sleeve with collar	Mounting D20	Tool mounting 15mm
--------------------------------------------------------	-----------------	-----------------------

[Mounting sleeve with collar D20/ 16mm](#)

Product ID : 10324366

Previous product ID : W68510.0416

TH accessories category Mounting sleeve with collar	Mounting D20	Tool mounting 16mm
--------------------------------------------------------	-----------------	-----------------------

**Other accessories**

[Adjusting screw M 5x15](#)

Product ID : 10491071

Previous product ID : 326794

10703859  
W9990213

**INDEX**

---

SET SCREW 8X8-913

Product ID : 10921433

Previous product ID : 410156.0808

---