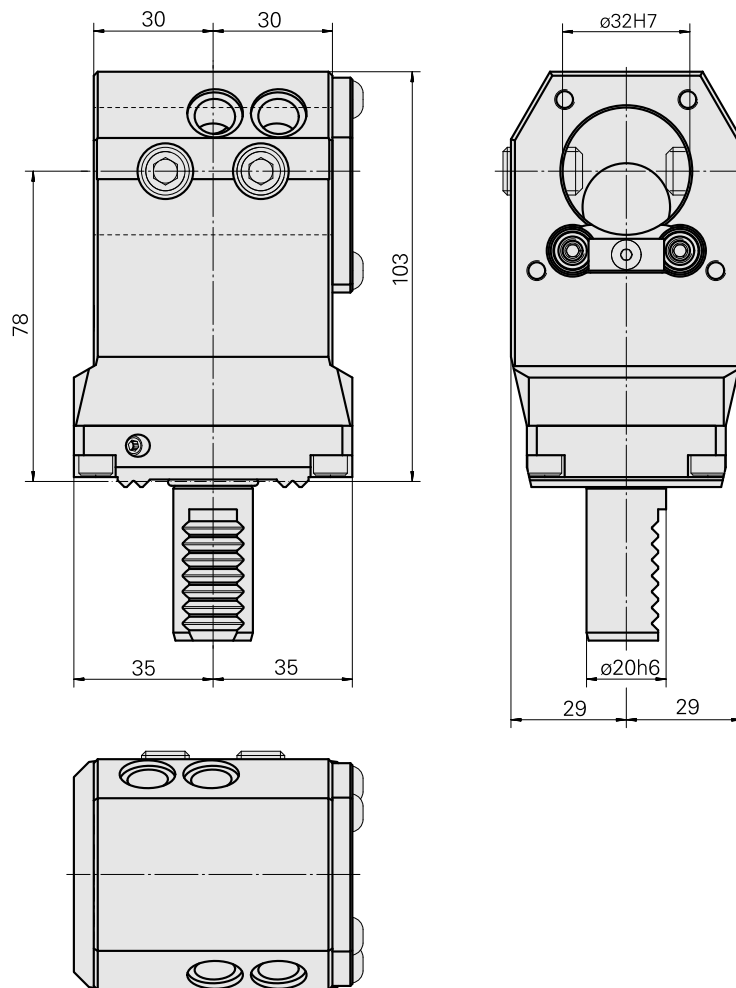
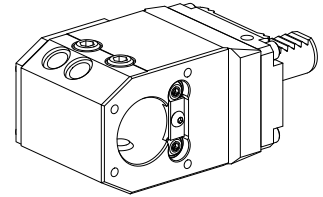


Drilling tool holder VDI 20 DIN 1835 B/E

Technical data

| | |
|----------------------|-----------------------|
| Shank VDI | VDI 20 |
| Drive | not live |
| Fixation VDI | W serration |
| Cooling | external and internal |
| Pressure | 40 bar |
| Mounting | DIN 1835 B/E D32 |
| reversible 180° | no |
| X [mm] | 78 (3.07") |
| Y [mm] | — |
| Z [mm] | 30 (1.18) |
| INDEX TRAUB products | C100 |



Documents

No downloads available for this product

Accessories

Optional accessories

Tool holder accessories

[Center](#)

Product ID : 10890013

Previous product ID : W9990164

TH accessories
category
Center

Mounting
D32

Other accessories

[Mounting sleeve with collar D32](#)

Product ID : 10505810

Previous product ID : W63221.40--

[Mounting sleeve D32](#)

Product ID : 10022842

Previous product ID : W63220.02--

[Seal](#)

Product ID : 10478680

Previous product ID : W67221.4196

[BALL SPRAY NOZZLE 12D/M6](#)

Product ID : 10602750

Previous product ID : 474550.0101

10655688
W1150021

INDEX

Metal sheet

Product ID : 10669690
Previous product ID : W67222.4108

Socket head screw

Product ID : 10485258
Previous product ID : 410214.0410
