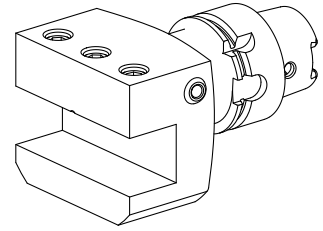


## Turning tool holder HSK 40 T square 20x2

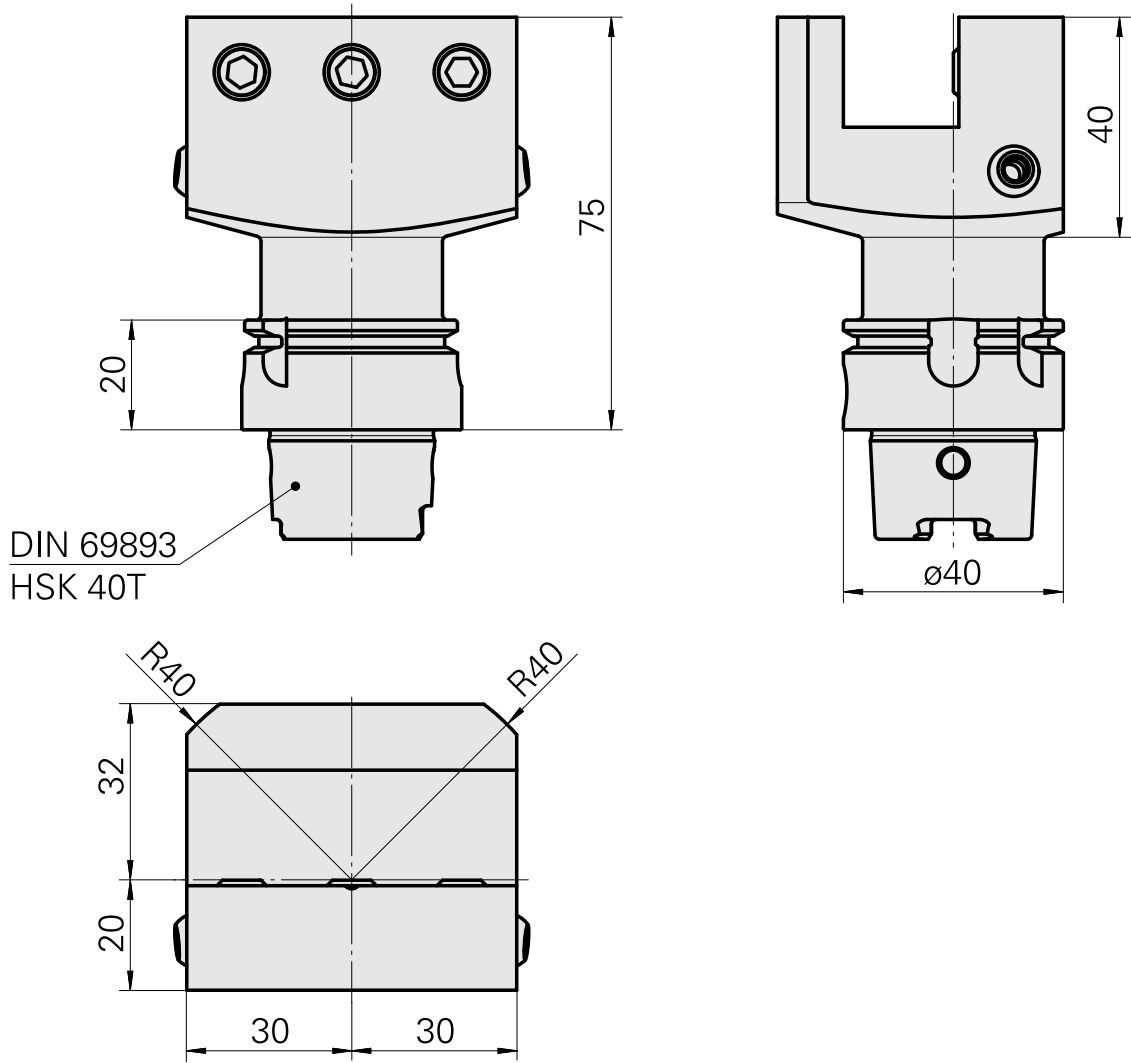
### Technical data

|                             |                                 |
|-----------------------------|---------------------------------|
| <b>Shank HSK</b>            | HSK 40                          |
| <b>Form HSK</b>             | T                               |
| <b>Mounting</b>             | Square 20x20                    |
| <b>Cooling</b>              | external                        |
| <b>Pressure</b>             | 50 bar                          |
| <b>X [mm]</b>               | 75 (2.95")                      |
| <b>Z [mm]</b>               | 30 (1.18)                       |
| <b>INDEX TRAUB products</b> | G220.3 • G220 • R200 • TNX220.3 |



### Note

Not suitable for INDEX G160, G250 and G400! Adjacent stations in the tool magazine can only be used to a limited extent!



## Documents

No downloads available for this product

## Accessories

Required for operation

### [Socket wrench](#)

Product ID : 10532354

Previous product ID : WS7400.0010

TH accessories  
category  
Tool for KSS adapter

Mounting  
HSK 40 A/C

Optional accessories

### **Tool holder accessories**

### [Coolant adapter kit](#)

Product ID : 10581780

Previous product ID : WS7400.0020

TH accessories  
category  
Cooling lubricant  
transfer set

Mounting  
HSK 40 A/C

### [Coolant supply, max. 120 bar](#)

Product ID : 12024083

Previous product ID :

TH accessories  
category  
Cooling lubricant  
transfer set

Mounting  
HSK 40 A/C

---

[Angle, height 8 mm \(0.31"\), width 8 mm \(0.31"\)](#)

Product ID : 10271441

Previous product ID : W63300.0010

TH accessories  
category  
Compensation bracket

Mounting  
Square 20x20

[Angle, Height 4 mm, Width 4 mm](#)

Product ID : 10135472

Previous product ID : W63300.0020

TH accessories  
category  
Compensation bracket

Mounting  
Square 20x20