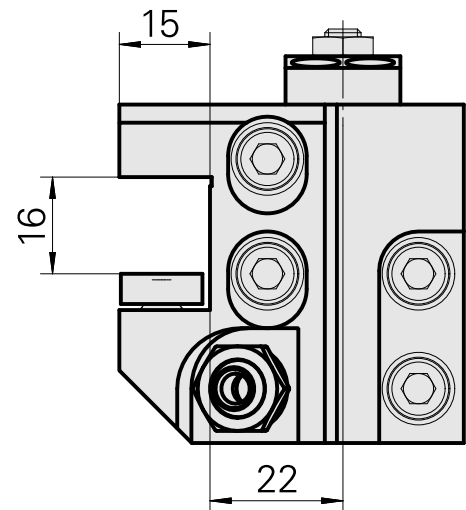
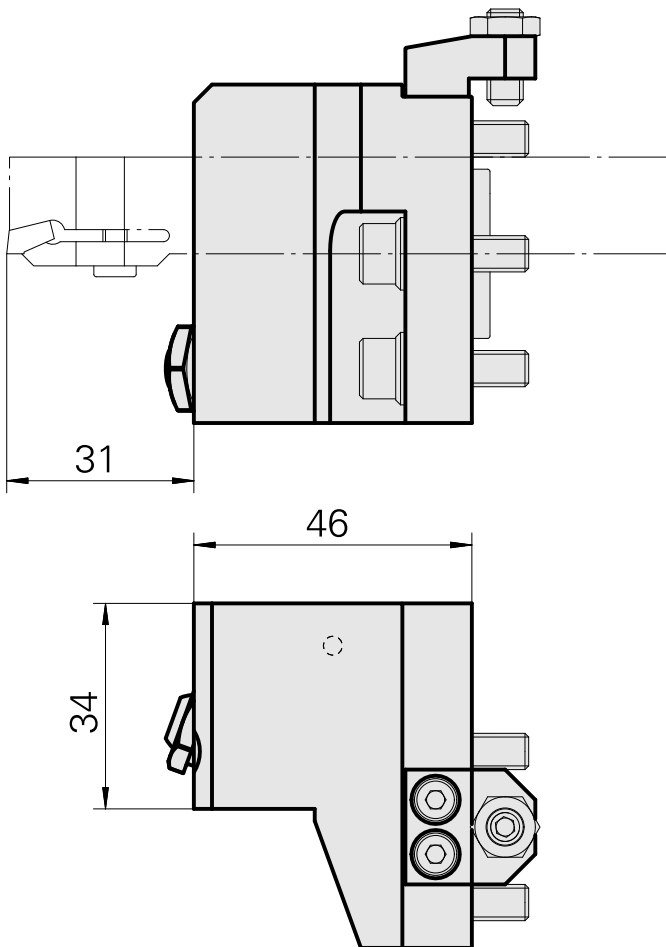
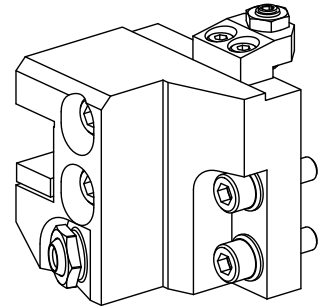


Grooving tool holding block Square 16x16, adjustable in Y direction

Technical data

| | |
|-----------------------------|----------------------|
| Drive | not live |
| Cooling | external |
| Pressure | 80 bar |
| Direction | right-handed run |
| Mounting | Square 16x16 |
| X [mm] | 46 (1.81") |
| Y [mm] | – |
| Z [mm] | 22 (0.87) |
| INDEX TRAUB products | MS16-6 • MS16-6 Plus |



Documents

No downloads available for this product

Accessories

Optional accessories

Other accessories

[Coolant Nozzle](#)

Product ID : 11031912

Previous product ID : W67500.3208

[Nozzle M6 mit D1,6](#)

Product ID : 10147428

Previous product ID : W00019.0216

[HOLLOW SCREW M14x1 M14x1](#)

Product ID : 10105238

Previous product ID : W67530.0818

[BUSHING 10 D x 6 D x 12,5](#)

Product ID : 10670360

Previous product ID : W67530.0824
