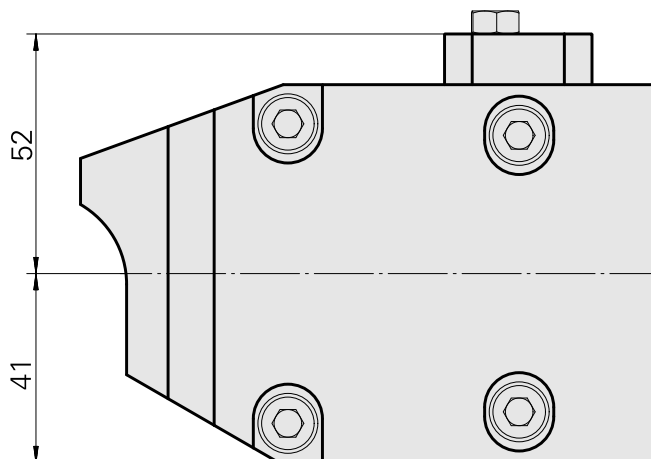
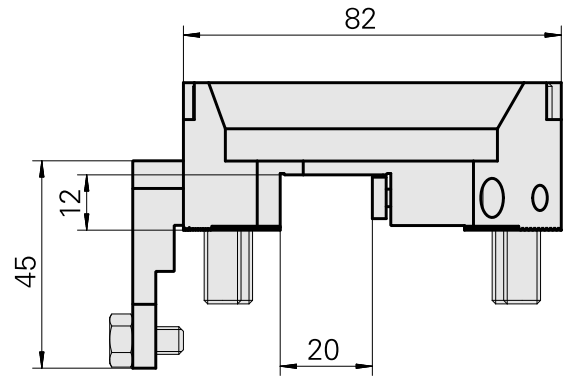
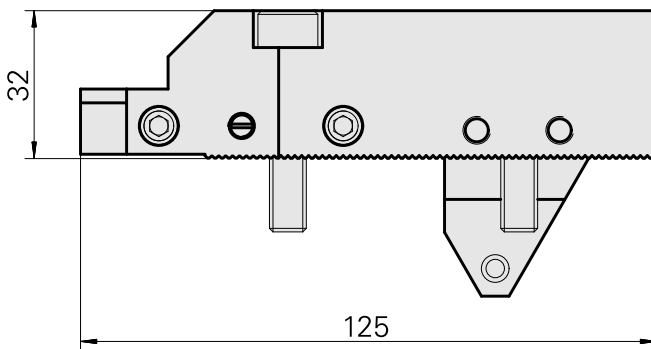
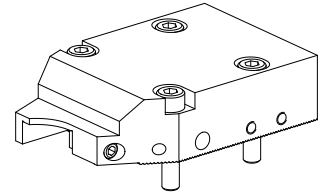


## Grooving tool holding block Sqare 20x12

### Technical data

<b>Drive</b>	not live
<b>Direction</b>	right-handed run
<b>Mounting</b>	Sqare 20x12
<b>X [mm]</b>	125 (4.92")
<b>Y [mm]</b>	-
<b>Z [mm]</b>	32 (1.26)
<b>INDEX TRAUB products</b>	MS52C • MS52-6.3



## **Documents**

No downloads available for this product