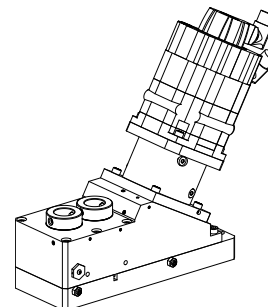

Back end unit MS52 2,05:1 WFB 32-20, reinforced, fluid-cooled drive

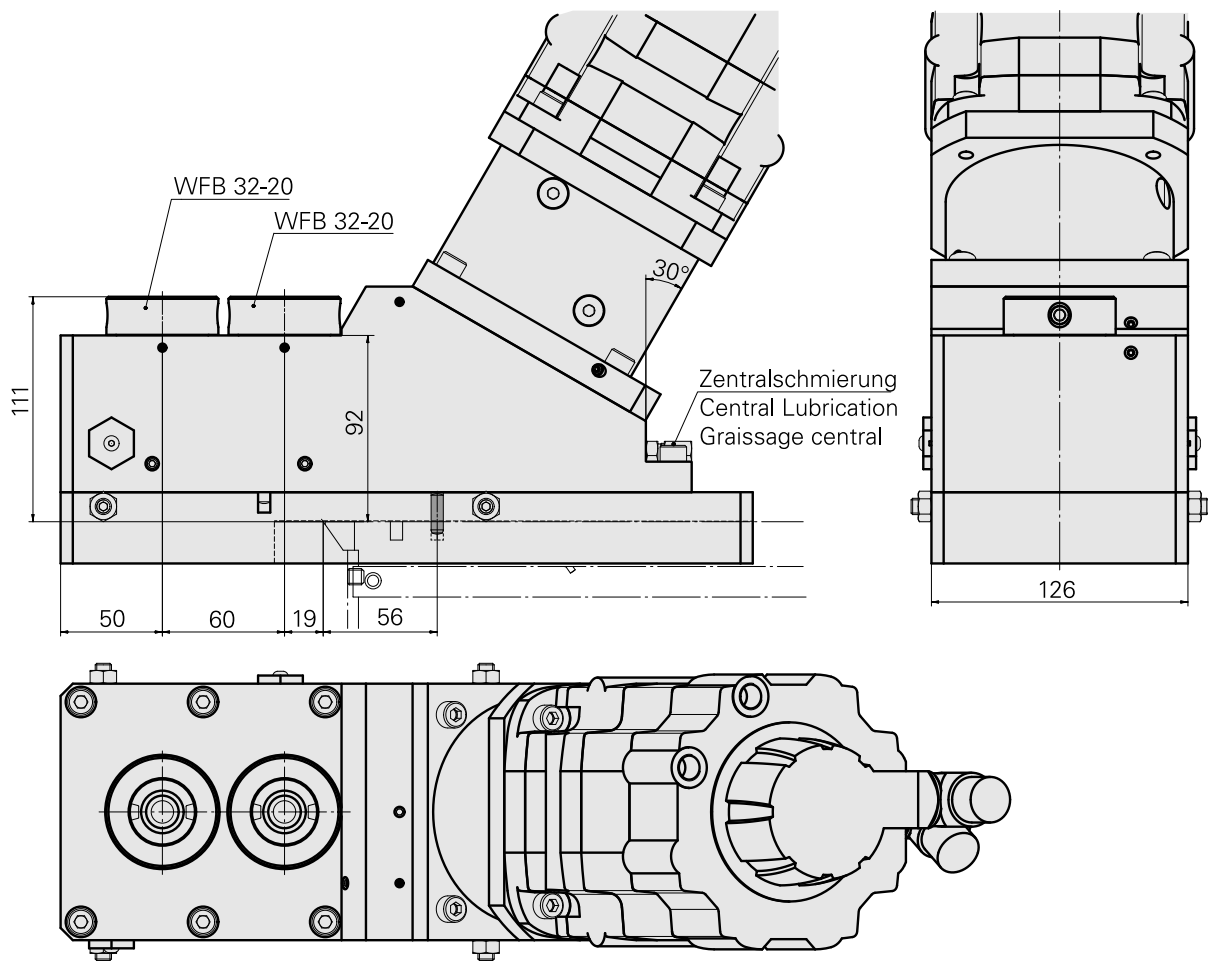
Technical data

| | |
|-----------------------------|------------------|
| Slide system MS | MS52 |
| Drive | Direct drive |
| Fixation MS | Splined key/pin |
| Speed ratio | 2,05:1 |
| Mounting | WFB 32-20 |
| X [mm] | – |
| Y [mm] | – |
| Z [mm] | – |
| INDEX TRAUB products | MS52C • MS52-6.3 |



Note

Can be used only in positions X.3! The unit must be connected to a central lubrication system! The unit may only be used in combination with any of the specified motors and the corresponding UNIT!
Motor (AC), 10 Nm – 12107824 (Siemens 1FT7062-5WK74-1NK2) included. UNIT 155



Documents

Product notes

[DE \(pdf\)](#)

[EN \(pdf\)](#)

[FR \(pdf\)](#)

[PT \(pdf\)](#)

[DE \(pdf\)](#)

[EN \(pdf\)](#)

[FR \(pdf\)](#)

Accessories

Required for operation

[Assembly parts](#)

Product ID : 10792114

Previous product ID : W00031.0003

[Cable kit, 5m im Arbeitsraum](#)

Product ID : 10912003

Previous product ID : GM5702.9055

Optional accessories

Other accessories

[Shrink WFB 32-20 adapter](#)

Product ID : 10726868

Previous product ID : WZ9990.3206F

[Adapter WFB 32-20 Weldon](#)

Product ID : 10305353

Previous product ID : WZ9990.3207F

[Adapter WFB 32-20 with collet mounting](#)

Product ID : 10298507
Previous product ID : WZ9990.3208F

[adapter WFB 32-20 mill arbor mounting](#)

Product ID : 10640736
Previous product ID : WZ9990.3209F

[WFB hydr. expansion mounting](#)

Product ID : 10946690
Previous product ID : WZ9990.3210F

[Grub screw M10x1x11](#)

Product ID : 10165359
Previous product ID : 326057
