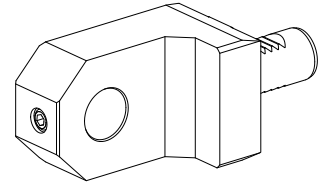


Bar stop VDI 25 D25 (0.98 ")

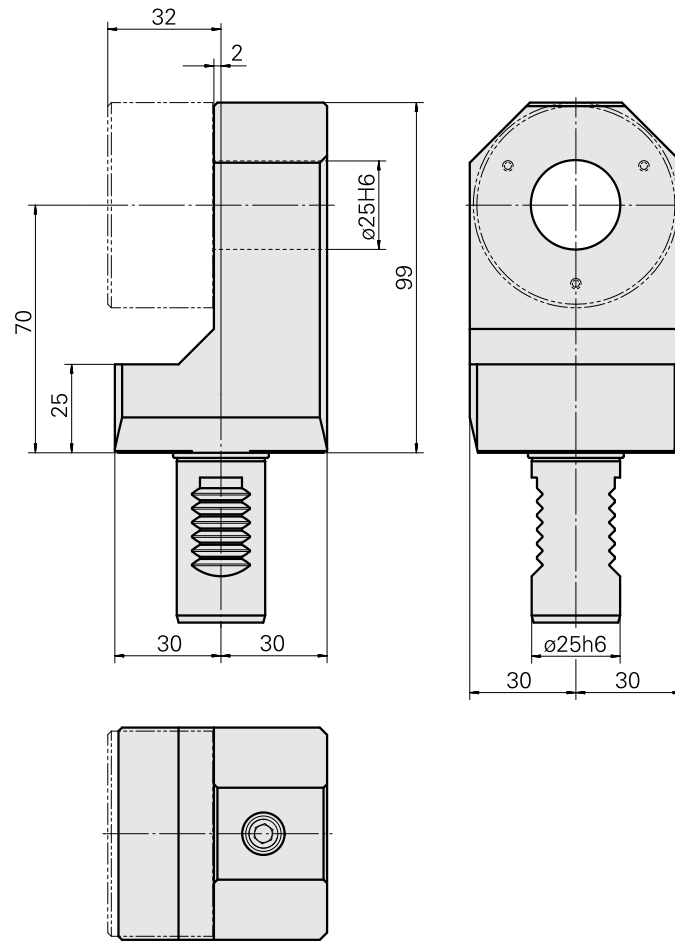
Technical data

| | |
|-----------------------------|---|
| Shank VDI | VDI 25 |
| Drive | not live |
| Fixation VDI | none |
| Mounting | D25 |
| reversible 180° | yes |
| Data carrier | check tool station bore |
| X [mm] | 70 (2.76") |
| Y [mm] | – |
| Z [mm] | 2 (0.08) |
| INDEX TRAUB products | C42/65 • G160 • ABC • C100 • C200 • G200 • G200.2 • G220 • ABC.2 • G220.3 • TNX220.3 • TNX200.3 • G200.3 • R200 • TNX160.2 |



Note

Bar stop D58 10900227 or D85 10452051 must be ordered separately.



Documents

No downloads available for this product

Accessories

Required for operation

[Bar stop D58 \(2.28 "\) , live](#)

Product ID : 10900227

Previous product ID : W9990159

| Drive not live | Mounting D58 | X [mm] - | Y [mm] - |
|---------------------|---|-------------|-------------|
| Z [mm] 30 (1.18) | INDEX TRAUB products C42/65 • G160 • ABC • B400 • C100 • C200 • G200 • G200.2 • G220 • TNX65/42 • TNA400.2 • G420 • B500 • TNA500.2 • G400.2 • G500 • G520 • ABC.2 • G300.2 • G320.2 • G200.3 • G220.3 • TNX200.3 • TNX220.3 • B400.3 • B500.3 • TNA400.3 • TNA500.3 | | |

Bar stop D85 (3.35 "), live

Product ID : 10452051

Previous product ID : W9990160

| Drive | Mounting | X [mm] | Y [mm] |
|---------------------|--|--------|--------|
| not live | D85 | - | - |
| Z [mm] 30 (1.18) | INDEX TRAUB products C42/65 • G160 • ABC • B400 • C100 • C200 • G200 • G200.2 • G220 • G250 • TNX65/42 • TNA400.2 • B500 • TNA500.2 • G420 • G400.2 • G500 • G520 • ABC.2 • G300.2 • G320.2 • B400.3 • B500.3 • TNA400.3 • TNA500.3 | | |