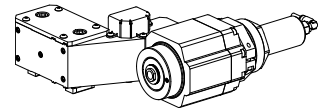


---

## Center holder MS16 grooving slide D11.2/, elastic, live

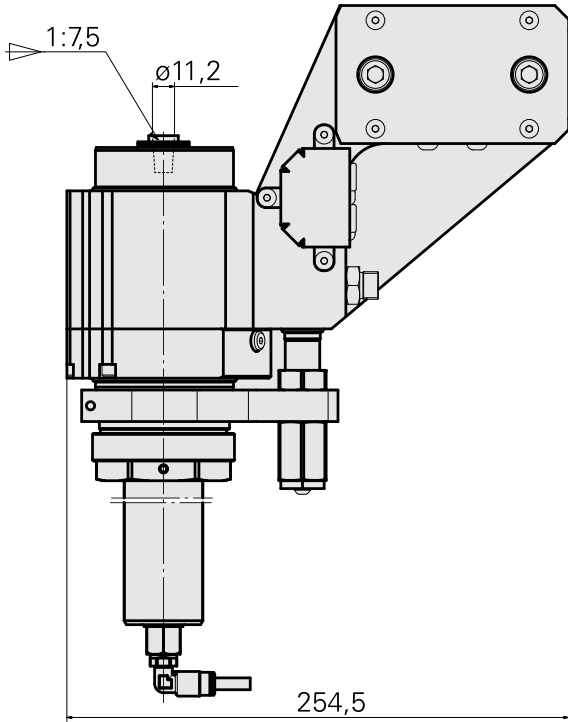
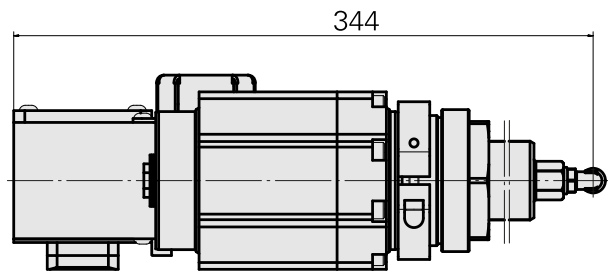
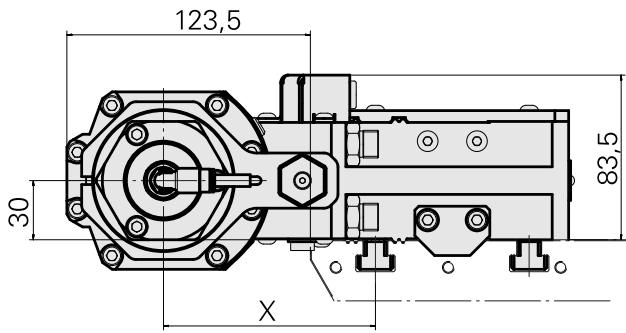
### Technical data



<b>Slide system MS</b>	MS16 grooving slide
<b>Drive</b>	not live
<b>Fixation MS</b>	W serration
<b>Mounting</b>	D11.2/Cone 1:7.5
<b>X [mm]</b>	–
<b>Y [mm]</b>	–
<b>Z [mm]</b>	–
<b>INDEX TRAUB products</b>	MS16-6 • MS16-6 Plus

### Note

Spring travel 2.1 mm, Yellow ring 0 - 1000 N, Red ring 1000 - 2300 N



X	107,5
---	-------

## **Documents**

No downloads available for this product

## **Accessories**

Optional accessories

**Other accessories**

[Center Kegel 1:7.5](#)

Product ID : 10112982

Previous product ID : W94280.23--

---