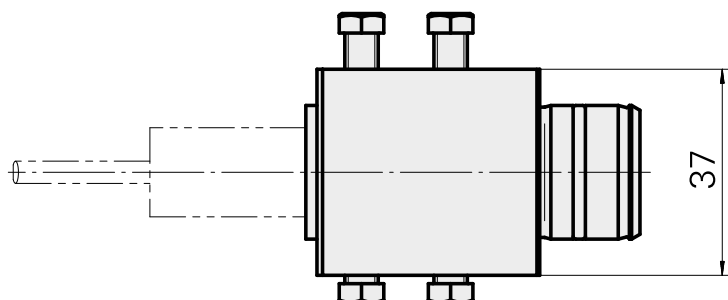
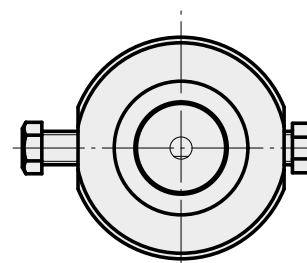
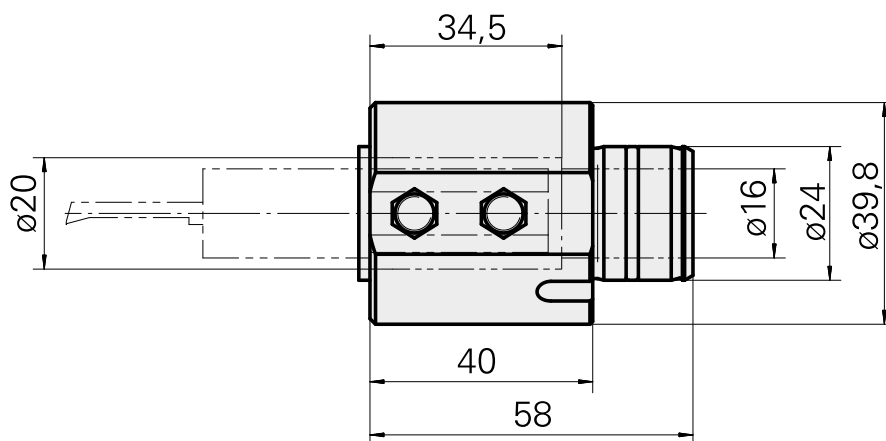
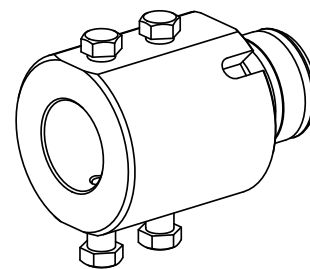


Mount D20 (0.79 ")

Technical data

Drive	not live
Cooling	internal
Mounting	D20
Pressure	80 bar
X [mm]	40 (1.57")
Y [mm]	-
Z [mm]	-
INDEX TRAUB products	ABC65 • TNK42/65 • TNL18 • TNL20 • TNL32-11 • TNL32 • TNL32-11 compact • TNL20-11 • TNL32 compact • TNK40.2-10 • TNL20.2 • TNK40.2



Documents

No downloads available for this product

Accessories

Optional accessories

Other accessories

[Mounting sleeve with collar D20](#)

Product ID : 10063939

Previous product ID : W68510.04--

[Mounting sleeve D20](#)

Product ID : 10994732

Previous product ID : W62220.01--

[Clamping screw M 6x15](#)

Product ID : 10762814

Previous product ID : 900804

[Clamping screw M 6x10](#)

Product ID : 10682377

Previous product ID : 900710
