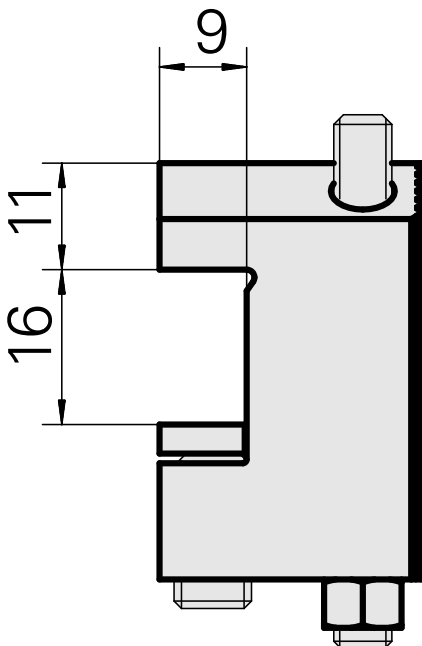
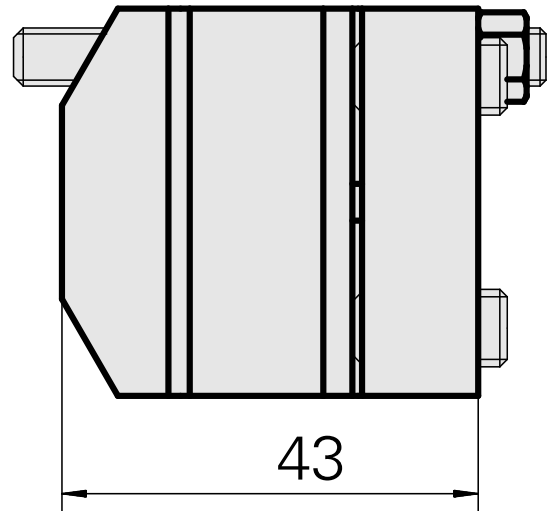
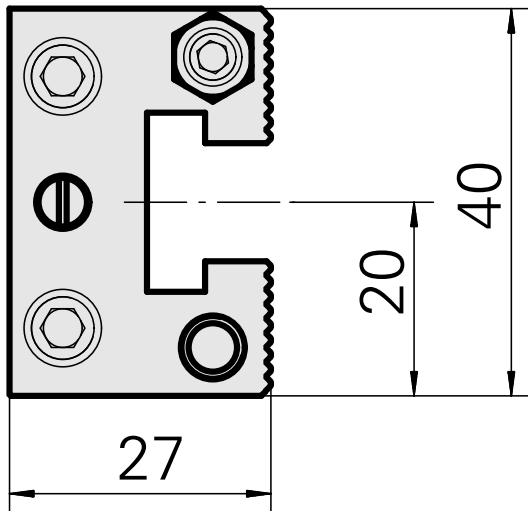
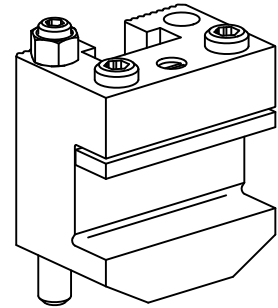


## Grooving tool holding block square 16x10, vertically adjustable

### Technical data

Drive	not live
Mounting	Square 16x10
X [mm]	20 (0.79")
Y [mm]	-
Z [mm]	18 (0.71)
INDEX TRAUB products	C42/65 • G160 • ABC • C100 • C200 • G200 • G200.2 • G220 • ABC.2



## **Documents**

No downloads available for this product