

Drilling tool holder KPS 45 ER16

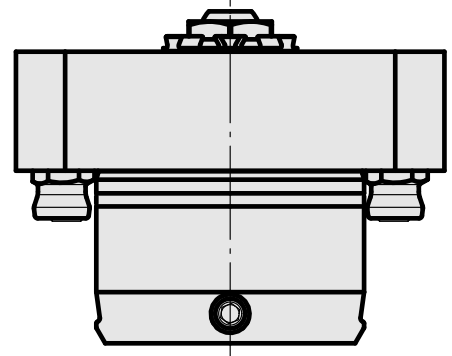
Technical data

Shank KPS	KPS 45
Drive	not live
Cooling	external and internal
Mounting	ER16
Pressure	80 bar
X [mm]	20 (0.79")
Y [mm]	–
Z [mm]	–
INDEX TRAUB products	TNL18



Note

Specially for TRAUB TNL machines having a turret with a B axis!



Documents

No downloads available for this product

Accessories

Required for operation

[Spanner](#)

Product ID : 11006246

Previous product ID : 490219.3161

TH accessories category Tool	Mounting ER16	Collet type ER 16	Clamping nut type Male thread
Tools for Collet chucks Clamping nut wrench			

Optional accessories

Tool holder accessories

[Clamping nut](#)

Product ID : 10911008

Previous product ID : 901939.5161

TH accessories category Clamping nut	Mounting ER16	Collet type ER 16	Clamping nut type Male thread
---	------------------	----------------------	----------------------------------

[Clamping nut, for internal cooling lubricant supply](#)

Product ID : 10546850

Previous product ID : 326691

TH accessories category Clamping nut	Mounting ER16	Collet type ER 16	Clamping nut type Male thread
---	------------------	----------------------	----------------------------------

[Coolant tube, L=100 mm \(3.93"\)](#)

Product ID : 10346684
Previous product ID : W9990559

TH accessories category Cooling lubricant tube	Mounting M6
--	----------------

Other accessories

[Clamping collet](#)

Product ID : 10834596
Previous product ID : 901930.1---

[tapping tool collet ET-1-16](#)

Product ID : 10542491
Previous product ID : 3230--

[Clamping collet](#)

Product ID : 10589709
Previous product ID : W99903--

[tapping tool collet](#)

Product ID : 10865233
Previous product ID : WZ9990.9506F

[Collet chuck](#)

Product ID : 10809952
Previous product ID : W9990065-

[Clamping collet, sealed](#)

Product ID : 10698406
Previous product ID : W999085-

[BUSHING 10 D x 6 D x 12,5](#)

Product ID : 10670360
Previous product ID : W67530.0824

10311319
W7040050

INDEX

Coolant Nozzle

Product ID : 11031912
Previous product ID : W67500.3208

HOLLOW SCREW M14x1 M14x1

Product ID : 10105238
Previous product ID : W67530.0818

Nozzle M6 mit D1,6

Product ID : 10147428
Previous product ID : W00019.0216
