

Cassette

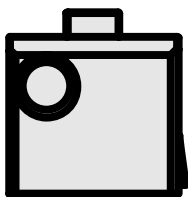
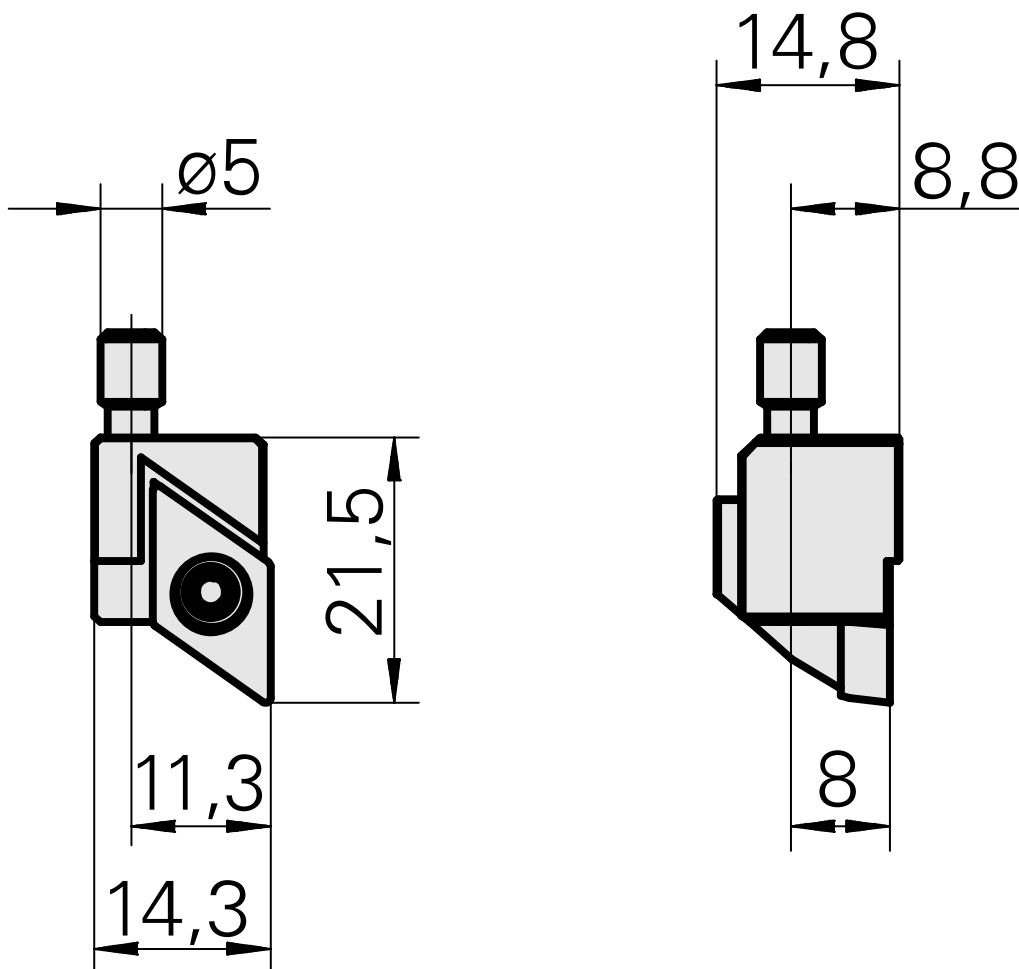
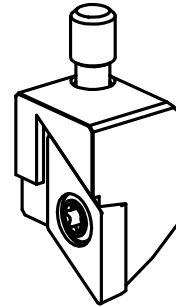
Technical data

TH accessories category

Cassette, left

Mounting

for DC.. 11T3..



Documents

No downloads available for this product