

## INDEX CAPTO C3 Milling shaft D22, with cutter tightening screw

### Technical data

TH accessories category

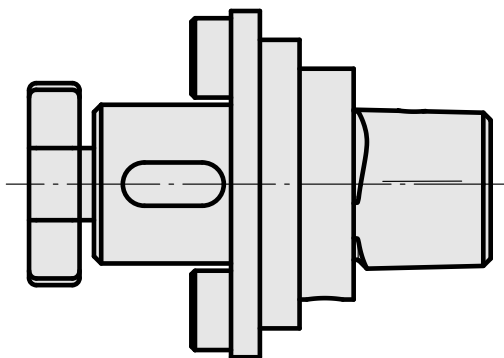
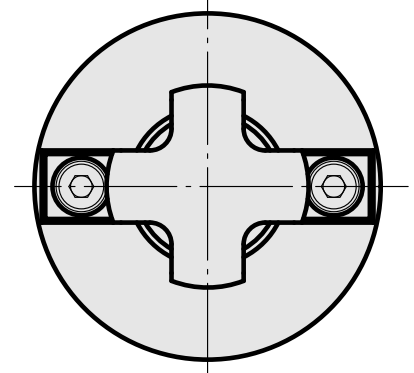
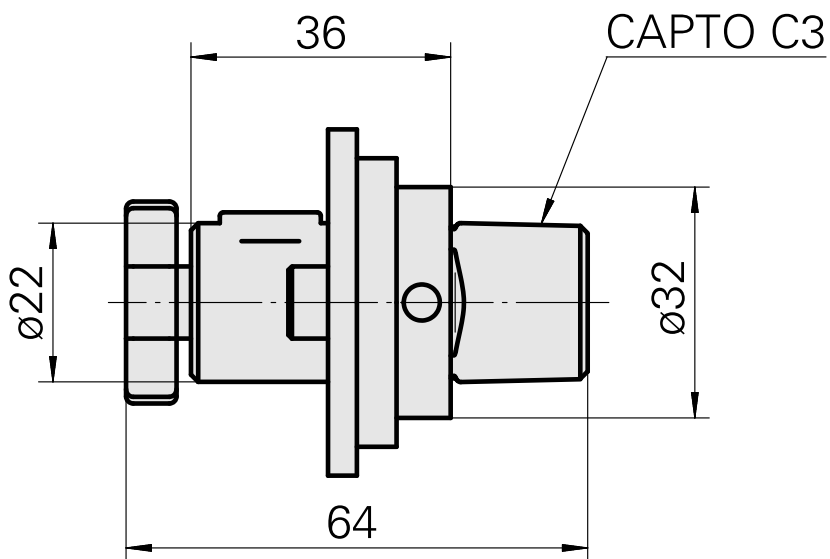
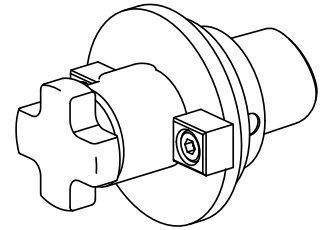
INDEX CAPTO C3

Mounting

Milling shaft D22

Quick change inserts

mill arbor mounting



---

## Documents

No downloads available for this product

## Accessories

Required for operation

### [mill arbor wrench](#)

Product ID : 10428155

Previous product ID : 203020.1220

TH accessories  
category  
Tool

Mounting  
Milling shaft D22

Tools for Collet chucks  
Mill arbor wrench

## Optional accessories

### Tool holder accessories

#### [Screw](#)

Product ID : 10638143

Previous product ID : 250122.1028

TH accessories  
category  
Cutter tightening screw

Mounting  
M10