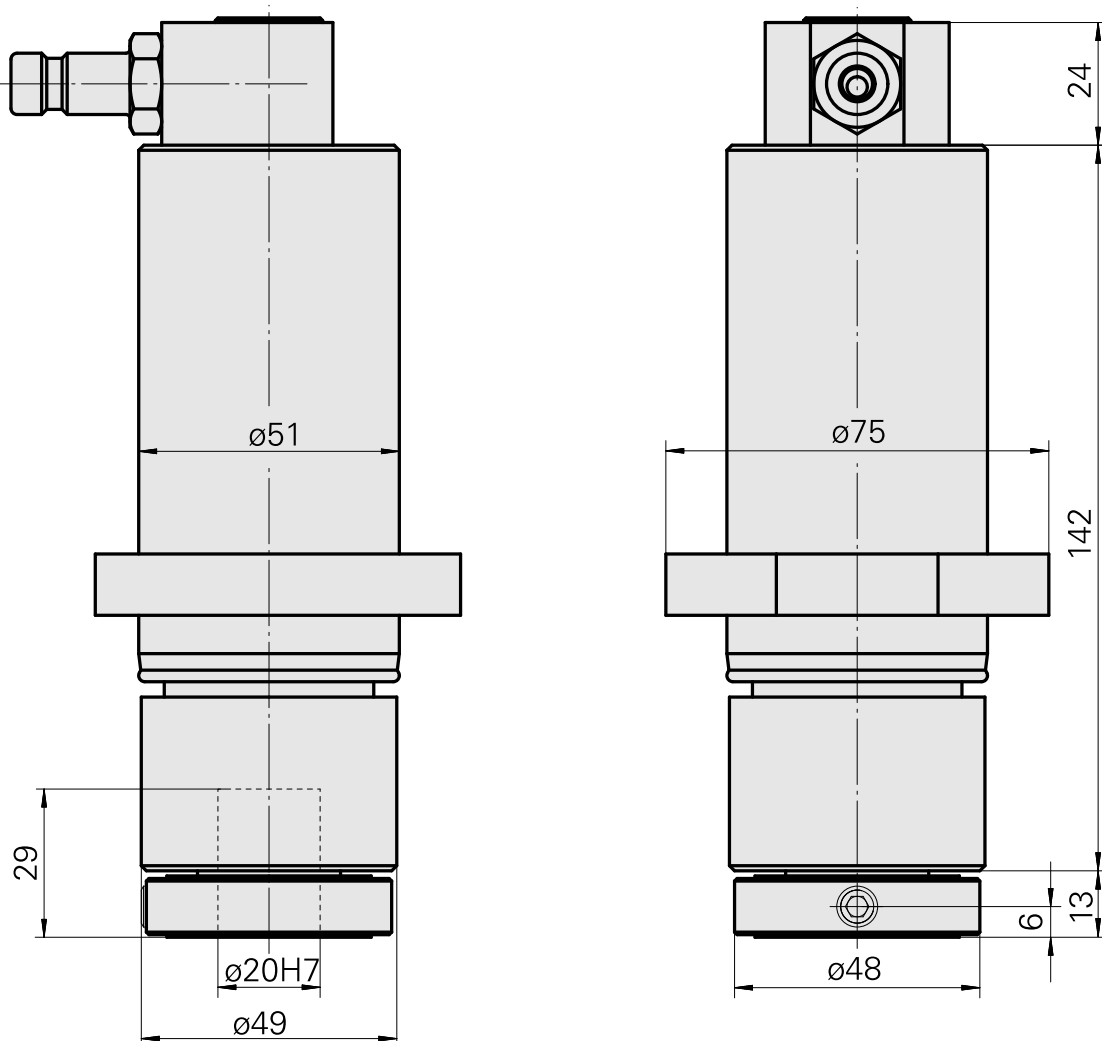
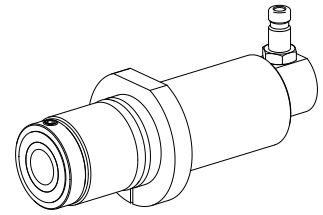


## Reaming tool holder D20

### Technical data

Drive	not live
Fixation MS	Clamping ring D51
Cooling	internal
Pressure	80 bar
Mounting	D20
X [mm]	-
Y [mm]	-
Z [mm]	-
INDEX TRAUB products	MS32C • MS52C • MS32-6.2 • MS40-6 • MS40-8 • MS52-6.3 • MS32-6.3



## **Documents**

No downloads available for this product

## **Accessories**

Optional accessories

**Other accessories**

### Reduction

Product ID : 10967092

Previous product ID : W95280.115-

---