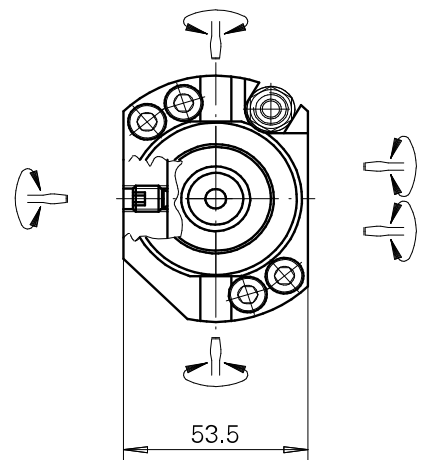
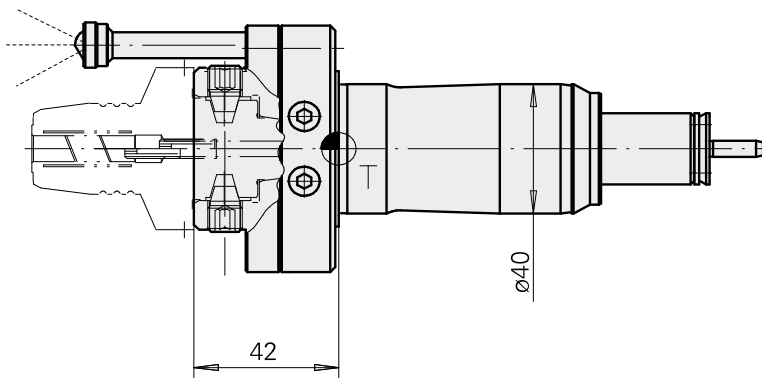
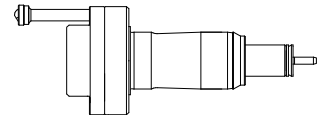


Supporto di base Gambo 40 WFB 32-20

Technical data

Gambo TNL	Gambo 40
Azionamento	non azionato
Raffreddamento	esterno e interno
Pressione	120 bar
Attacco	WFB 32-20
Prodotti INDEX TRAUB	TNK36 • TNL26



Documents

Product notes

[DE \(pdf\)](#)

[EN \(pdf\)](#)

[FR \(pdf\)](#)

[PT \(pdf\)](#)

Accessories

Optional accessories

Other accessories

[Adattatore calettatura WFB 32-20](#)

Product ID : 10726868

Previous product ID : WZ9990.3206F

[Adattatore WFB 32-20 Weldon](#)

Product ID : 10305353

Previous product ID : WZ9990.3207F

[Adattatore WFB 32-20 pinza di serra](#)

Product ID : 10298507

Previous product ID : WZ9990.3208F

[Adattatore WFB 32-20 Albero portafrese](#)

Product ID : 10640736

Previous product ID : WZ9990.3209F

[WFB hydr. expansion mounting](#)

Product ID : 10946690

Previous product ID : WZ9990.3210F

10186163
836358

INDEX

[Adapter WFB 32-20 Horn S-Mini](#)

Product ID : 10546762

Previous product ID : WZ9990.3211F

[adapter WFB 32-20Turning holder](#)

Product ID : 11010003

Previous product ID : WZ9990.3212F

[Grub screw M10x1x11](#)

Product ID : 10165359

Previous product ID : 326057
