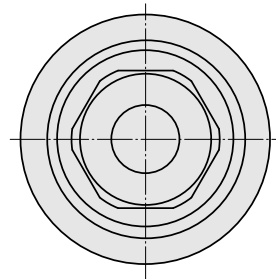
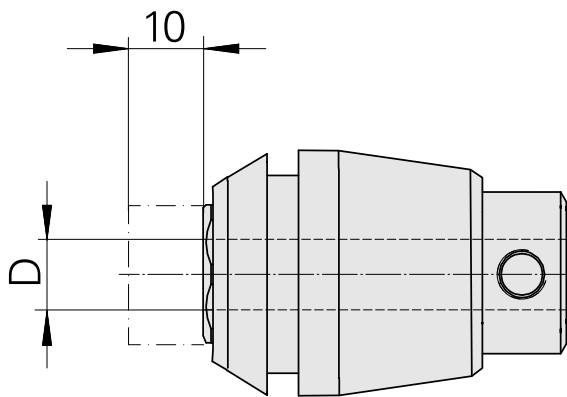


## ER-Collet chuck for taps ET 1-32 12mm

### Technical data

TH accessories category	ER-Collet chuck for taps
Mounting	ER32
Tool mounting	12mm
Collet type	ET 1-32



10170598  
324262

**INDEX**

---

## **Documents**

No downloads available for this product