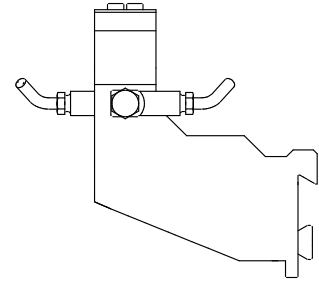


## Drilling tool holder Circular prism D20

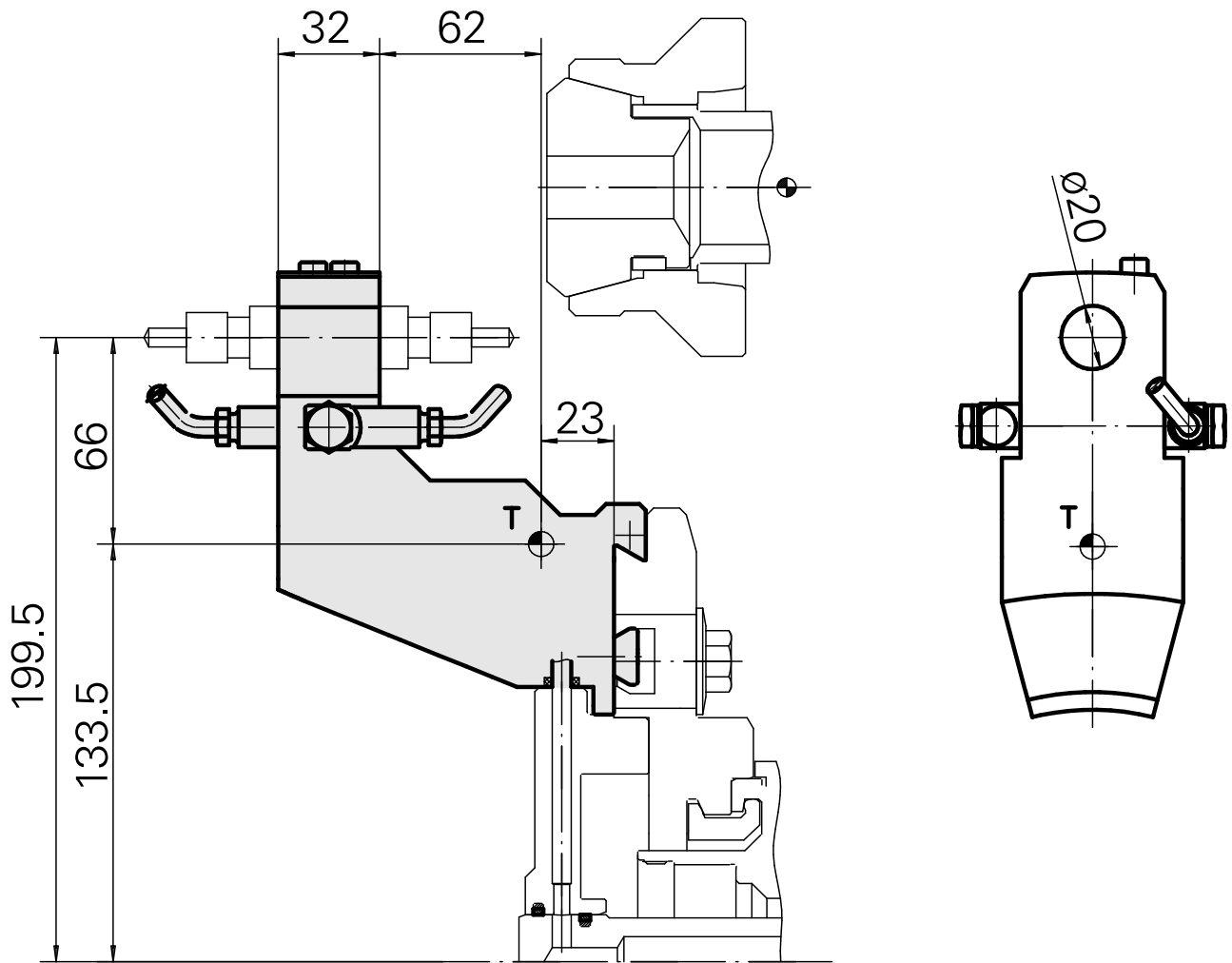
### Technical data

<b>Shank TNL</b>	Circular prism
<b>Drive</b>	not live
<b>Fixation TNL</b>	Central tensioning screw
<b>Cooling</b>	external
<b>Pressure</b>	30 bar
<b>Mounting</b>	D20
<b>INDEX TRAUB products</b>	TNK36 • TNL26



### Note

A collision check must be carried out before use!



10165823  
984690

**INDEX**

---

## **Documents**

No downloads available for this product