

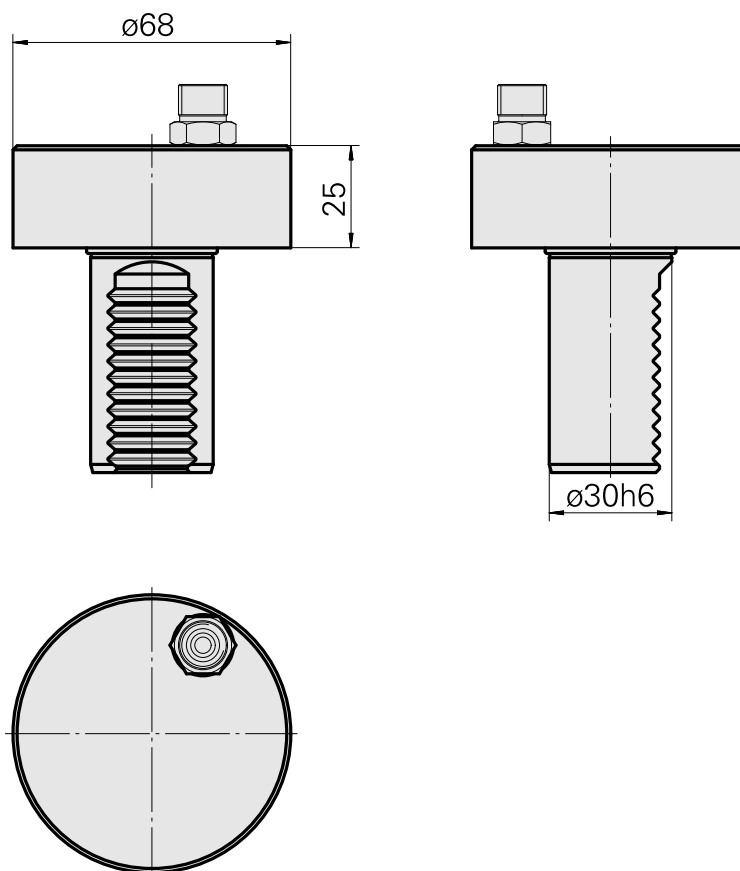
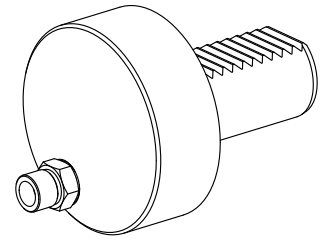
Flush holder VDI 30

Technical data

| | |
|--------------|-------------------------|
| Shank VDI | VDI 30 |
| Drive | not live |
| Fixation VDI | none |
| Cooling | external |
| Pressure | 80 bar |
| Data carrier | check tool station bore |
| X [mm] | 25 (0.98") |
| Y [mm] | - |
| Z [mm] | - |

INDEX TRAUB products

G160 • G300 • V100 • V200 •
A200-6 • B400 • C200 • G220
• G250 • R300 • TNX65/42 •
V160C • V160G • V300 • TNA300
• TNA400.2 • G300.2 • G320.2 •
G220.3 • TNX220.3 • TNX200.3 •
G200.3 • G320.3 compact • B400.3
• TNA400.3



Documents

No downloads available for this product

Accessories

Optional accessories

Other accessories

[Locking screw](#)

Product ID : 10306095

Previous product ID : 410773.1010

[Screw cap GE 6-LM-ED/OMD](#)

Product ID : 10877595

Previous product ID : 338090
