

INDEX CAPTO C3 for DC.. 11T3.., left, with gripper groove

Technical data

TH accessories category

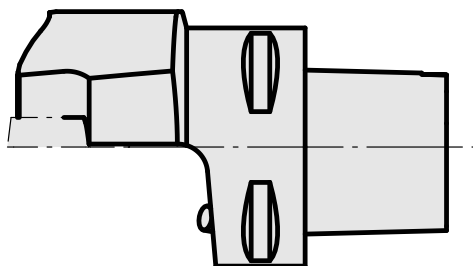
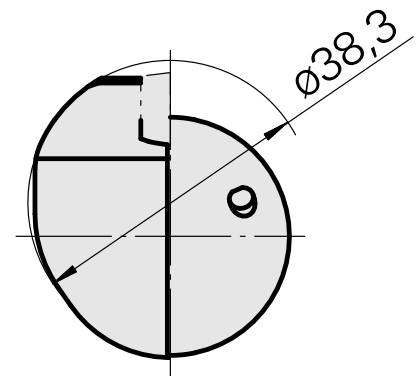
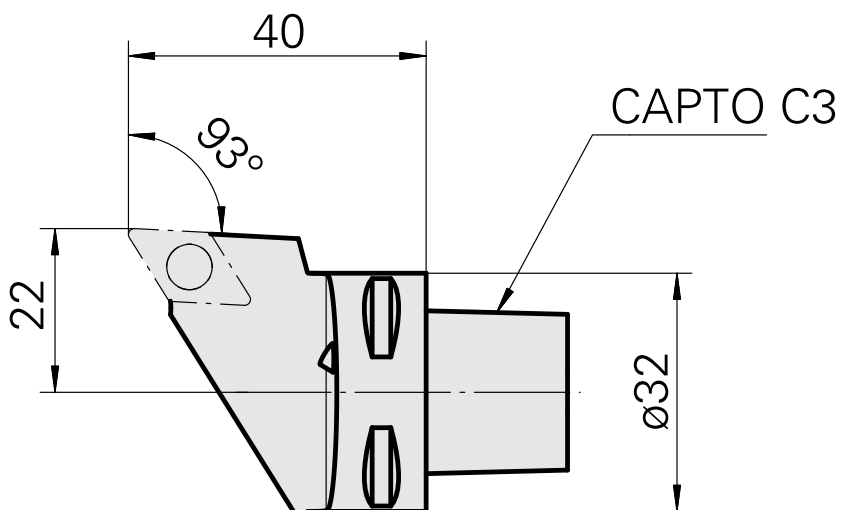
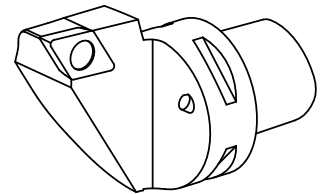
INDEX CAPTO C3

Mounting

for DC.. 11T3..

Quick change inserts

Turning tool holder



10141188
W9991135

INDEX

Documents

No downloads available for this product