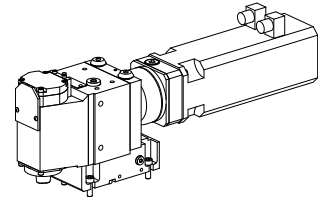


Polygon turning unit MS52 5:1 INDEX CAPT

Technical data

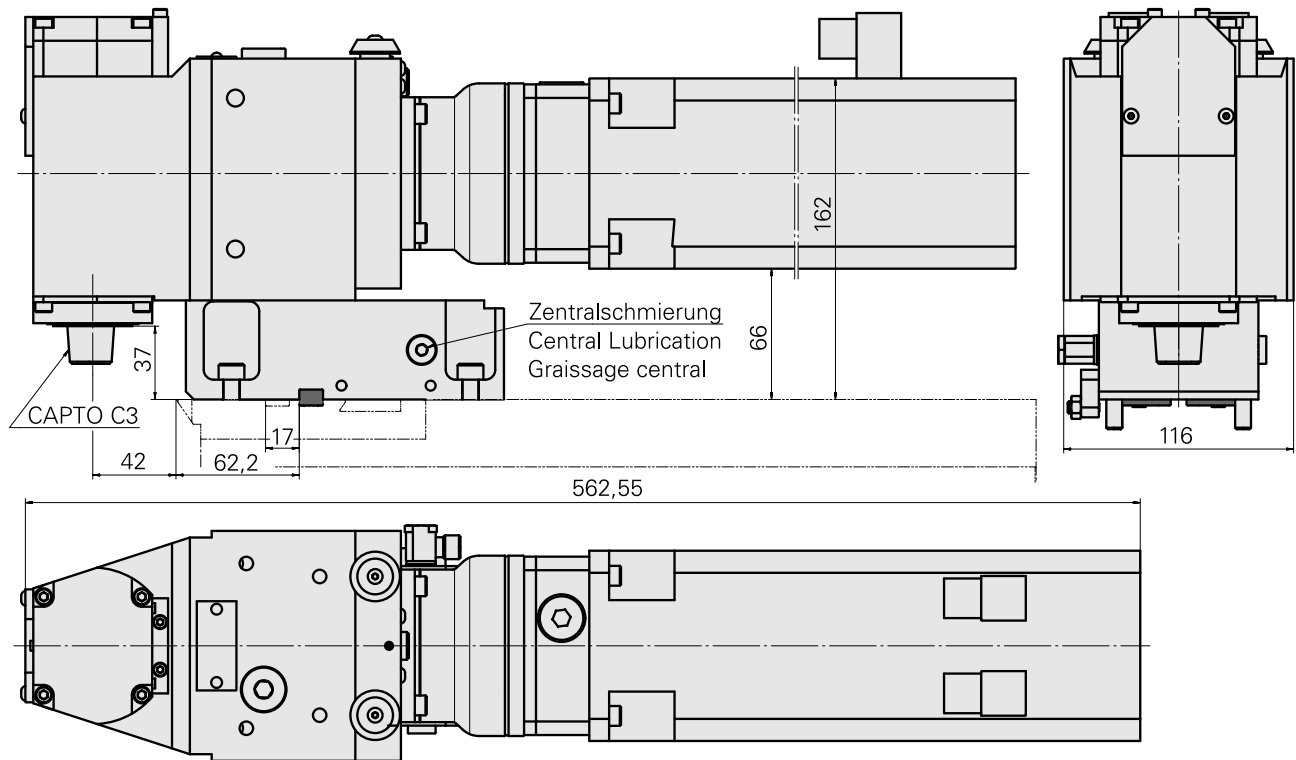
Slide system MS	MS52
Drive	Direct drive
Fixation MS	Splined key/pin
Speed ratio	5:1
Mounting	INDEX CAPTO C3
X [mm]	42 (1.65")
Y [mm]	–
Z [mm]	37 (1.46)
INDEX TRAUB products	MS52C2



Note

Can only be used on the cross slide! The unit must be connected to a central lubrication system! The machine must have a preparation for polygon turning! The unit may only be used in combination with any of the specified motors and the corresponding UNIT!

Motor (AC), 5 Nm – 10177847 (Siemens 1FT6044-4AK71-4EG1) included. UNIT machine-specific



Documents

No downloads available for this product

Accessories

Required for operation

[Assembly parts](#)

Product ID : 12103301

Previous product ID :

[Cable im Arbeitsraum](#)

Product ID : 10053852

Previous product ID : GM5702.9056

Optional accessories

O-Rings

[Gasket ring](#)

Product ID : 10341840

Previous product ID : 479102.1043

manufacturer product line Trelleborg	TSS material no.	Cord size 3.53 Millimeter	manufacturer product line O-ring
--	------------------	------------------------------	--