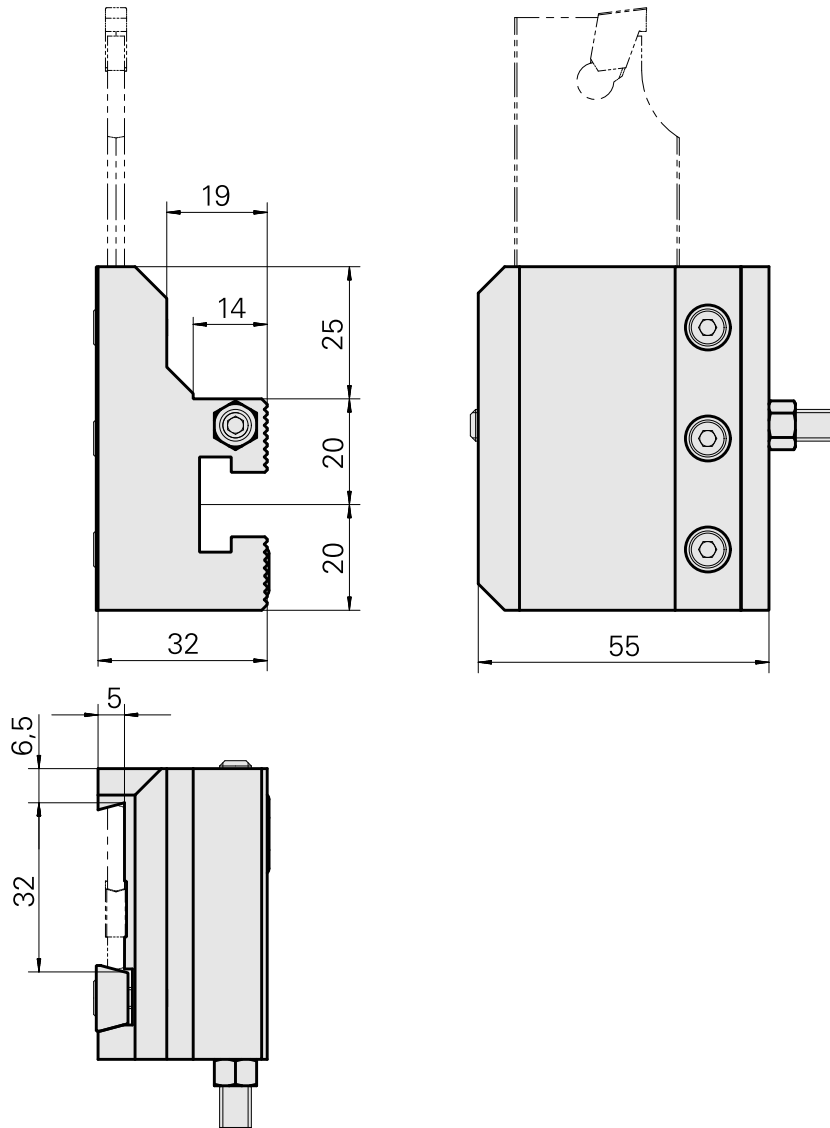
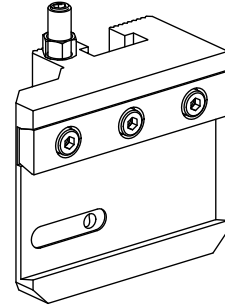


## Grooving tool holding block Trapezoid 32, vertically adjustable

### Technical data

<b>Drive</b>	not live
<b>Cooling</b>	external and internal
<b>Pressure</b>	80 bar
<b>Mounting</b>	Trapezoid 32x5
<b>X [mm]</b>	45 (1.77")
<b>Y [mm]</b>	–
<b>Z [mm]</b>	32 (1.26)
<b>INDEX TRAUB products</b>	C100 • TNX65/42



## **Documents**

No downloads available for this product