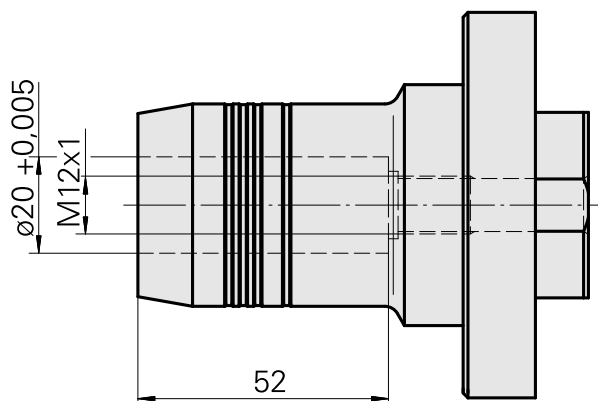
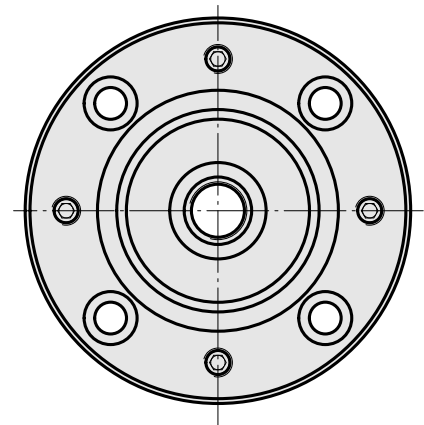
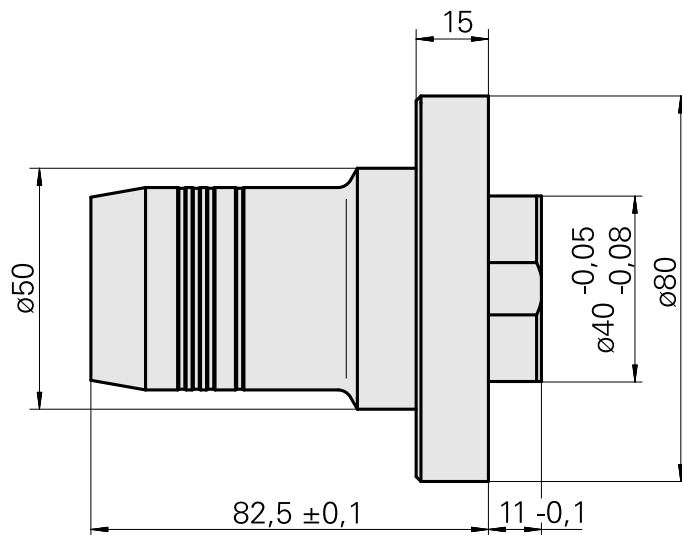
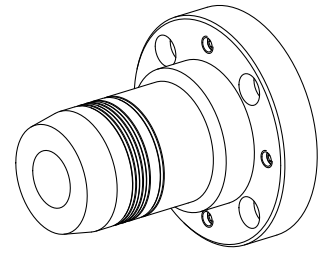


## Drill holding block Hydraulic expansion

### Technical data

<b>Drive</b>	not live
<b>Fixation VDI</b>	none
<b>Cooling</b>	external and internal
<b>Pressure</b>	80 bar
<b>Mounting</b>	Hydraulic expansion chuck D20
<b>X [mm]</b>	83 (3.27")
<b>Y [mm]</b>	-
<b>Z [mm]</b>	-
<b>INDEX TRAUB products</b>	G160 • ABC • C100 • C200 • G200 • G200.2 • G220 • ABC.2



## **Documents**

### **Product notes**

[DE \(pdf\)](#)

[EN \(pdf\)](#)

[FR \(pdf\)](#)