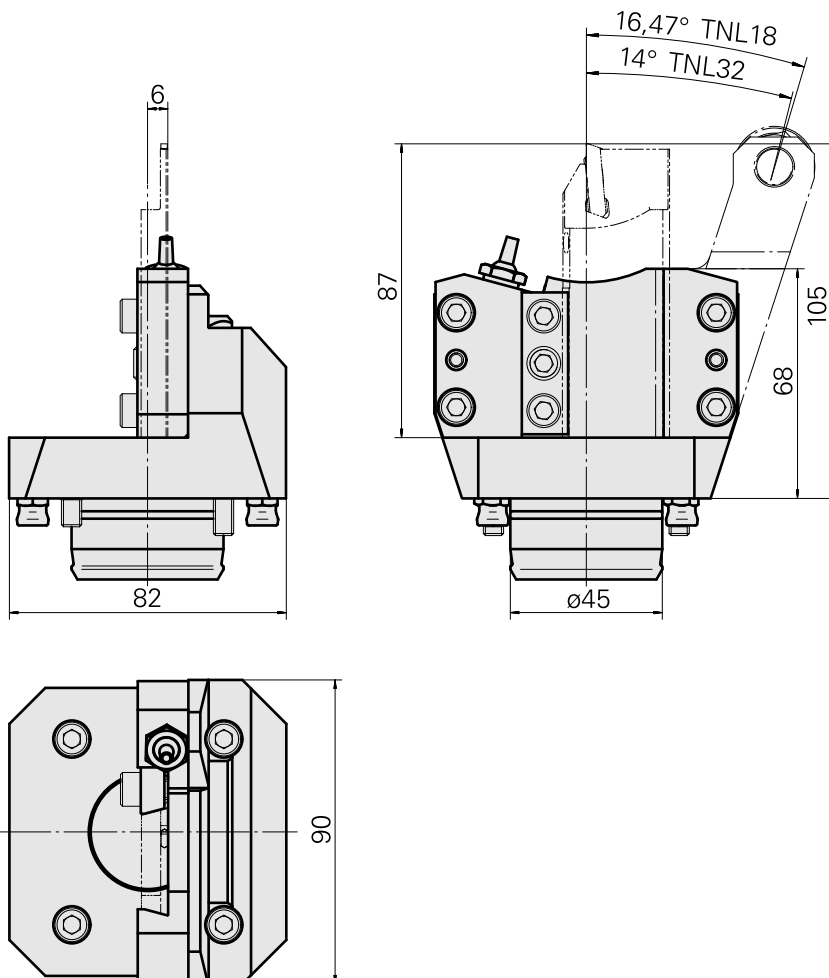


Grooving tool holder KPS 45 Trapezoid 32

Technical data

Shank KPS	KPS 45
Drive	not live
Cooling	external
Mounting	Trapezoid 32x8
Pressure	80 bar
X [mm]	68 (2.68")
Y [mm]	-
Z [mm]	-6 (-0.24)
INDEX TRAUB products	TNL18 • TNL20 • TNL32-11 • TNL32 • TNL32-11 compact • TNL20-11 • TNL32 compact • TNK40.2-10 • TNK40.2-8 • TNL20.2



Documents

No downloads available for this product

Accessories

Optional accessories

Tool holders with compact shank

[Bar stop, live](#)

Product ID : 10436606

Previous product ID : W9990516

Drive
not live

INDEX TRAUB products

TNL32-11 compact

• TNL32 • TNL20-11

• TNL32 compact •

TNK40.2-10 • TNL20 •

TNL32-10 • TNL32-11

• TNL32-7 • TNL32-7B

• TNL32-8 • TNL32-9 •

TNL32-9P • TNL32P •

TNK40.2-8 • TNL20.2

Other accessories

[Hollow screw M12x1](#)

Product ID : 10757766

Previous product ID : W02013.0001

[Nozzle Kugel-D8](#)

Product ID : 10007891

Previous product ID : 904837

[Bush 4x8x12](#)

Product ID : 10831938

Previous product ID : W02010.0002
