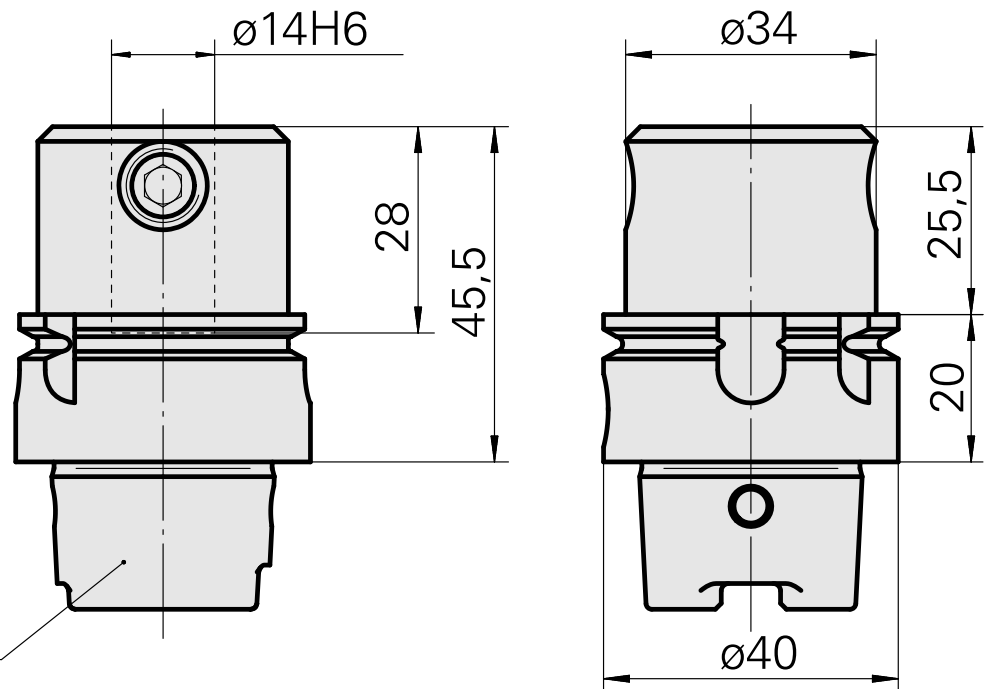
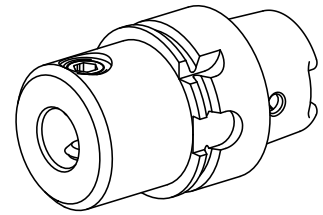


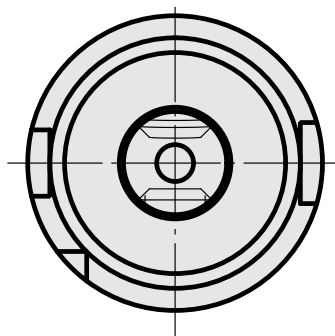
## Drilling tool holder HSK 40 A DIN 1835 B

### Technical data

<b>Shank HSK</b>	HSK 40
<b>Form HSK</b>	A
<b>Mounting</b>	DIN 1835 B/E D14
<b>Cooling</b>	internal
<b>Pressure</b>	80 bar
<b>X [mm]</b>	45.5 (1.79")
<b>INDEX TRAUB products</b>	G160 • V100 • G200.2 • R200 • TNX65/42 • G220.3 • TNX220.3



DIN 69893  
HSK 40 A



---

## Documents

No downloads available for this product

## Accessories

Required for operation

### [Socket wrench](#)

Product ID : 10532354

Previous product ID : WS7400.0010

TH accessories  
category  
Tool for KSS adapter

Mounting  
HSK 40 A/C

Optional accessories

### **Tool holder accessories**

### [Coolant adapter kit](#)

Product ID : 10581780

Previous product ID : WS7400.0020

TH accessories  
category  
Cooling lubricant  
transfer set

Mounting  
HSK 40 A/C

### [Coolant supply, max. 120 bar](#)

Product ID : 12024083

Previous product ID :

TH accessories  
category  
Cooling lubricant  
transfer set

Mounting  
HSK 40 A/C