

## WFB 32-20 ER11, with mini clamping nut

### Technical data

TH accessories category

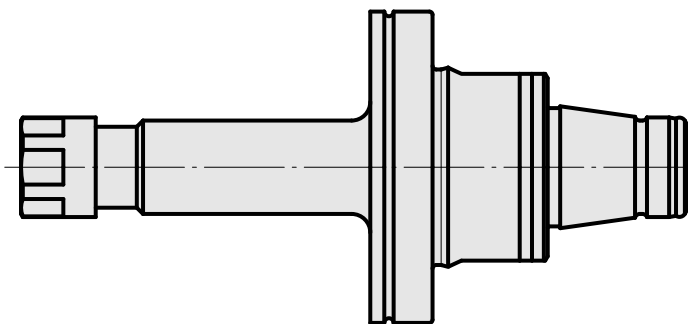
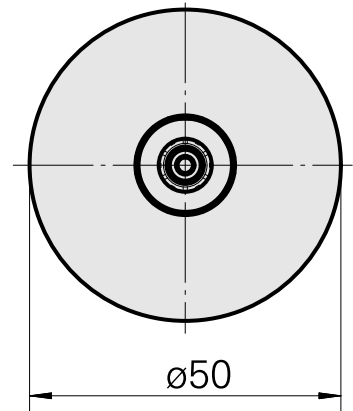
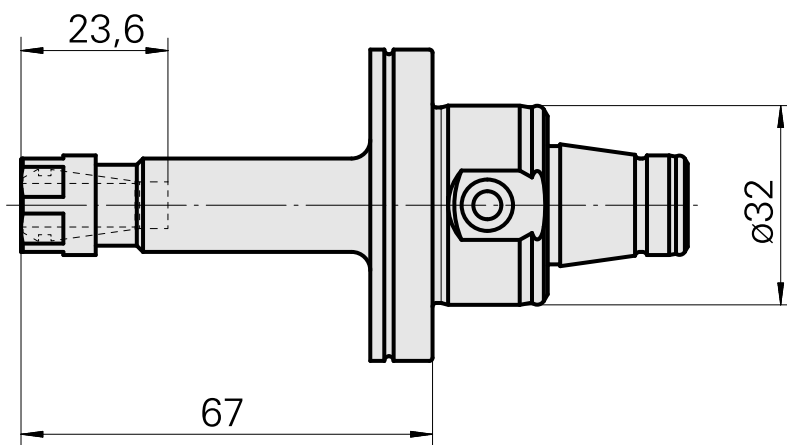
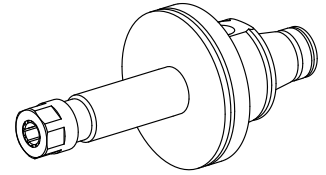
WFB 32-20

Mounting

ER11

Quick change inserts

collet mounting



---

## Documents

No downloads available for this product

## Accessories

Required for operation

### [Spanner](#)

Product ID : 10401928

Previous product ID : 326792

TH accessories category Tool	Mounting ER11	Collet type ER 11	Clamping nut type Female thread diameter reduced
Tools for Collet chucks Clamping nut wrench			

## Optional accessories

### Tool holder accessories

### [Clamping nut](#)

Product ID : 10212188

Previous product ID : 326681

TH accessories category Clamping nut	Mounting ER11	Collet type ER 11	Clamping nut type Female thread diameter reduced
---	------------------	----------------------	---

### Other accessories

### [Clamping collet](#)

Product ID : 10086829

Previous product ID : 901930.0---

---