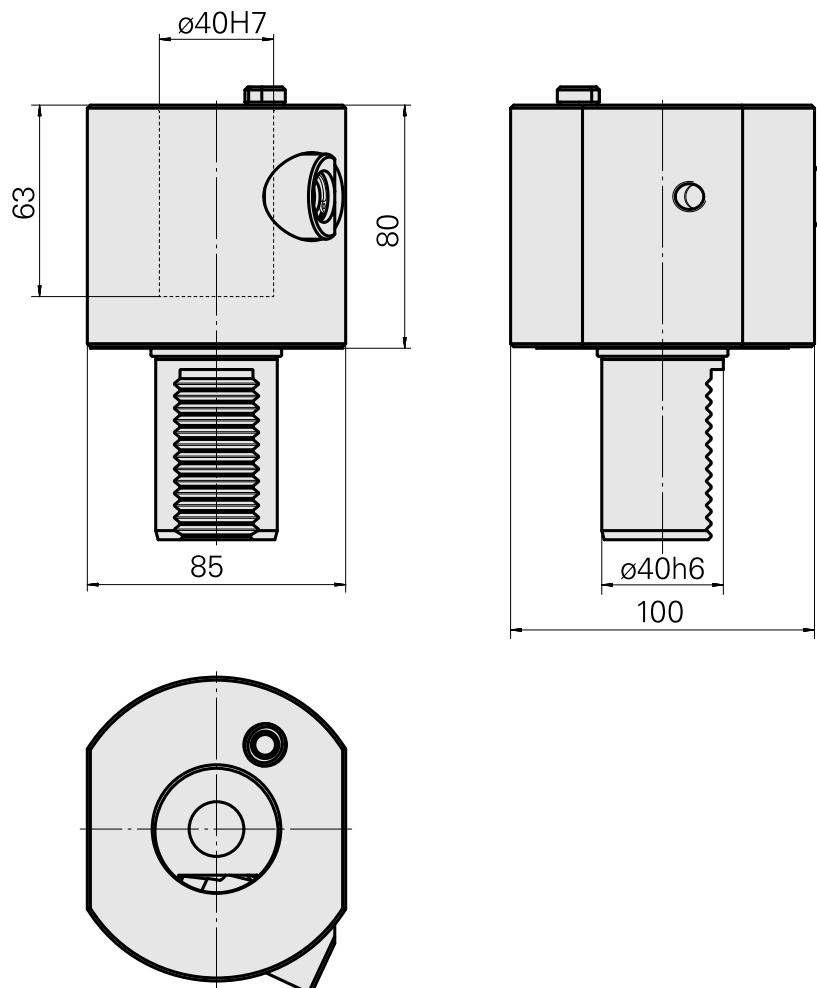
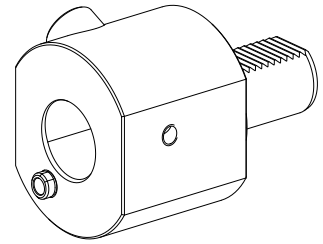


Compensation holder VDI 40 VDI 40

Technical data

| | |
|-----------------------------|-----------------------------|
| Shank VDI | VDI 40 |
| Drive | not live |
| Fixation VDI | none |
| Cooling | external |
| Pressure | 40 bar |
| Mounting | VDI 40 |
| reversible 180° | no |
| X [mm] | 80 (3.15") |
| Y [mm] | – |
| Z [mm] | – |
| INDEX TRAUB products | V200 • V160C • V160G • V300 |



Documents

No downloads available for this product

Accessories

Optional accessories

Other accessories

[Not defined](#)

Product ID : 10504091

Previous product ID : WL3300.9140F
