

## WFB 20-12 for Threading insert 3ER., right, without gripper groove

### Technical data

TH accessories category

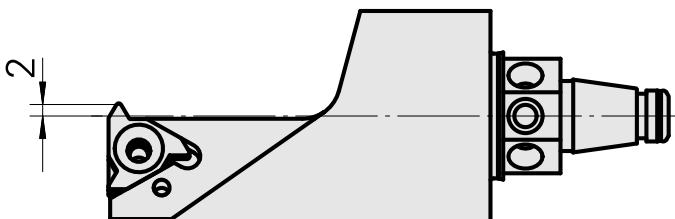
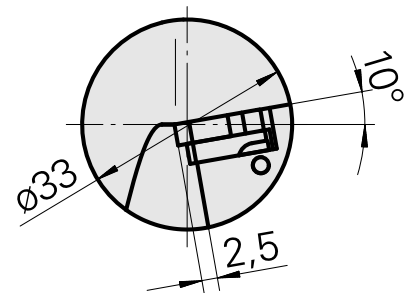
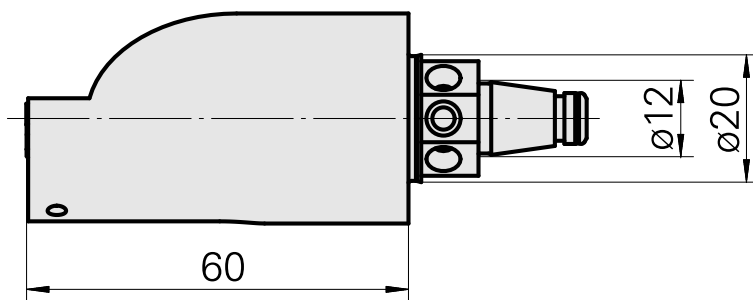
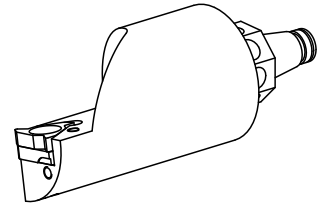
WFB 20-12

Mounting

for Threading insert 3ER..

Quick change inserts

Turning tool holder



## Documents

No downloads available for this product

## Accessories

Optional accessories

### Other accessories

#### [Base plate](#)

Product ID : 12139397  
Previous product ID :

---

#### [clamping screw](#)

Product ID : 10576630  
Previous product ID : 956090.0003

---