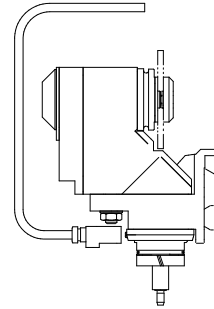


Polygon turning unit Circular prism 2:1, $\pm 15^\circ$

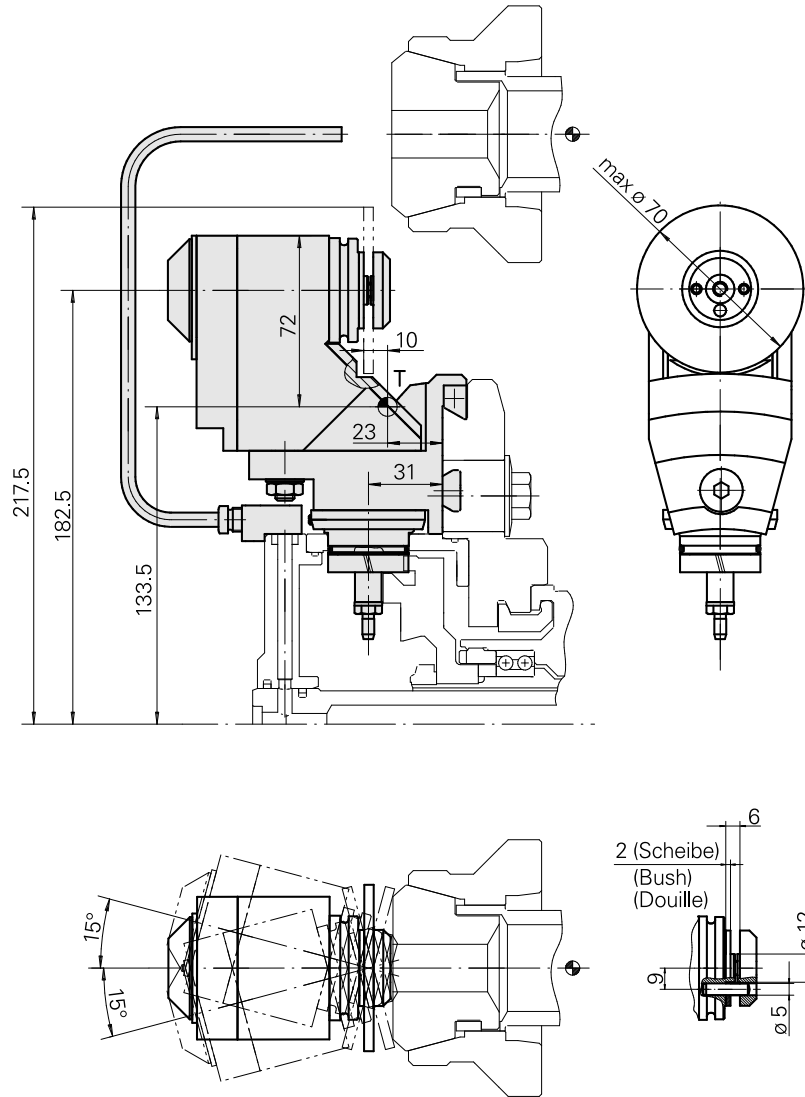
Technische Daten

Shank TNL	Circular prism
Drive	Overall drive
Fixation TNL	Central tensioning screw
Speed ratio	2:1
Cooling	external
Pressure	30 bar
Mounting	D12
INDEX TRAUB products	TNK36 • TNL26



Hinweis

Can only be used on turrets with an X axis!



Dokumente

Für dieses Produkt sind keine Downloads vorhanden