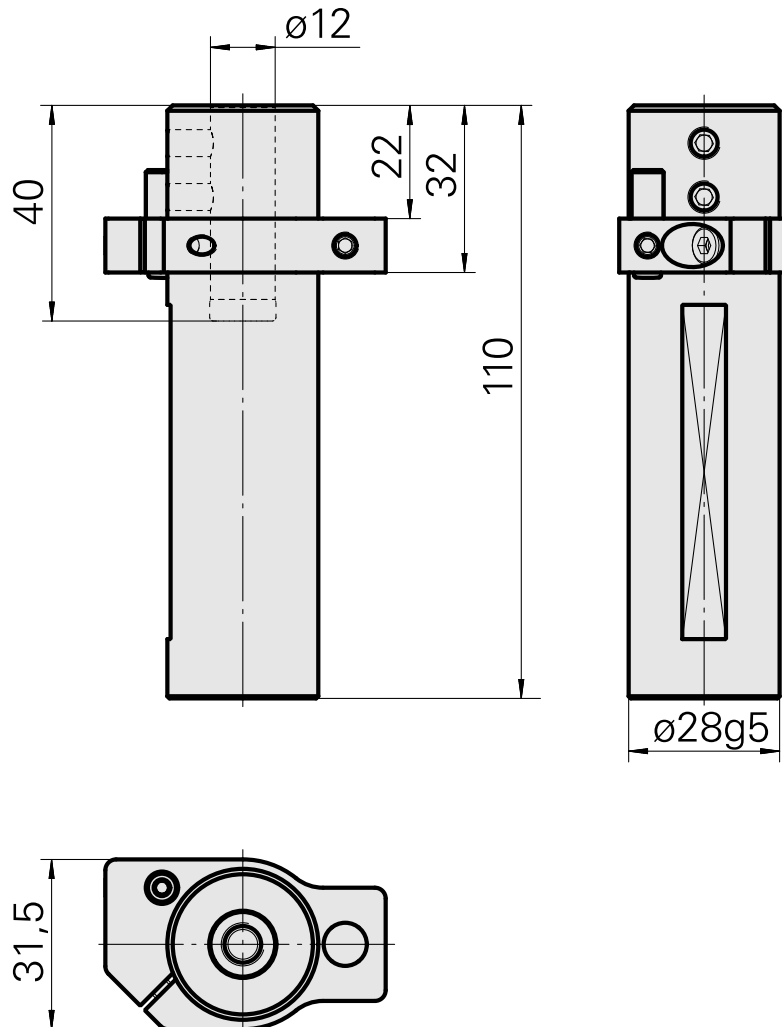


## Drilling tool holder Shank 28 D12 (0.47)

### Technical data

|                      |                   |
|----------------------|-------------------|
| Shank TNL            | Shank 28          |
| Drive                | not live          |
| Fixation TNL         | Pre-centering pin |
| Cooling              | internal          |
| Pressure             | 120 bar           |
| Mounting             | D12               |
| X [mm]               | -                 |
| Y [mm]               | -                 |
| Z [mm]               | 32 (1.26)         |
| INDEX TRAUB products | TNL12 • TNL12.2   |



## Documents

No downloads available for this product

## Accessories

Required for operation

### [COOLANT TUBE COMPLETE](#)

Product ID : 10255957

Previous product ID : 989156

---

### [CL feeder, fixed TNL12.2, Back/front working unit](#)

Product ID : 12063156

Previous product ID :

---

## Optional accessories

### **Other accessories**

### [Mounting sleeve with collar D12](#)

Product ID : 11060576

Previous product ID : W94280.21--

---

### [Spanner](#)

Product ID : 12083203

Previous product ID :

---