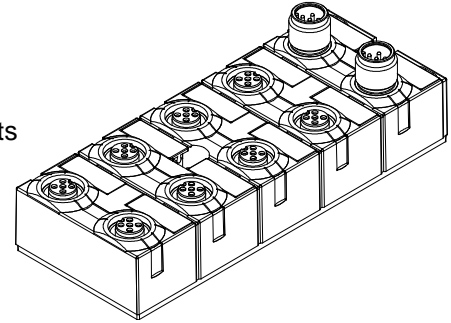


## Cube67 DIO16 C 8xM12 1,6A Art. No.: 56640

Cube Slave IP67

[M12 socket, contact 4] → 8 inputs or 8 outputs

[M12 socket, contact 2] → 8 diagnosis or 8 function inputs or 8 outputs



### EMC

#### EN 61131-2 Product standard

EN 61000-4-2 ESD	: Contact ± 4 kV, air ± 8 kV
EN 61000-4-3 RF-Field & GSM	: 10 V/m
EN 61000-4-4 Burst	: ± 2 kV
EN 61000-4-5 Surge	: asym./symm. ± 500 V (DC input)
	: asym. ± 1 kV (Signal connections)
EN 61000-4-6 HF-asymmetric	: 10 V
EN 61000-4-8 Magnetic field 50 Hz	: 30 A/m
EN 55011 Emission	: QP 30 dBµV/m (30 - 230 MHz)
	: QP 37 dBµV/m (230 - 1000 MHz) (class B)

### Ambient conditions

Normal operating temperature *	: 0°C ... +55°C
Extended operating temperature	: -10°C ... +60°C
Storage temperature	: -25°C ... +70°C
Enclosure type according to EN 60529	: IP 67

#### Please note:

The Cube67 field bus system is very robust and due to the high protection class IP67 it is protected from dust, dirt, and most liquids without an additional housing. Cube 67 is specially designed for harsh industrial applications directly in machines and systems.


The field bus system is not suitable for outdoor use, continuous operation in liquids or high pressure wash downs.

### Mechanical ambient conditions

Oscillation according to EN 60068 Part 2-6	: 10 – 58 Hz; const. amplitude 0.35 mm
	: 58 – 150 Hz; const. acceleration 15 g
Shock according to EN 60068 Part 2-27	: Amplitude 50 g, 11 ms duration

### Connection possibilities

Internal system connection	: M12 male plug connector 6-pin
Additional Power for Actuator	: M12 male plug connector 6-pin
Sensor / Actuator	: 8x M12 female connector 5-pin

				Idx	Datum	Gepr.	<b>Datenblatt / Data sheet</b>		
				a	21.07.0	Gro			Cube67 DIO16 C 8xM12 1,6A
				h	23-06-15	el			
h	ATEX entfällt	23-06-15	el	Ges.			<b>Art.-No. 56640</b>		
g	Lamp load	05.11.0	sb						Blatt
f	Ambient Please note	24.06.0	ri						1
Idx.	Änderung	Datum	Nam						2 Bl.
a	Erstausgabe	21.07.0	Gro	56640_db_e_h.doc					

