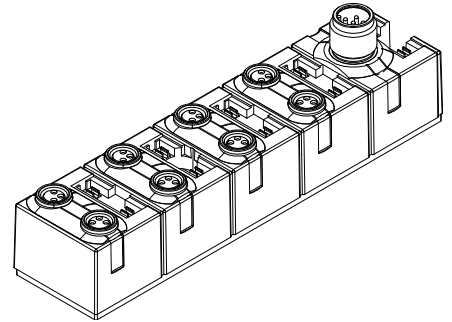


Vom EDV-System heruntergeladene bzw. ausgedruckte Dokumente besitzen informativen Charakter und unterliegen nicht dem Änderungsdienst / Documents downloaded by the EDP system and/or printed out have only an informative character and are not subject to  
 Technische Änderungen vorbehalten / We reserve the right to change this specification  
 Schutzvermerk ISO 16016 beachten / Refer to protection notice ISO 16016

**Cube67 DI8 C 8xM8 Art. No.: 56622**

Cube Slave IP67

[M8 socket, contact 4] → 8 inputs



**EMC**

**EN 61131-2 Product standard**

- EN 61000-4-2 ESD : Contact ± 4 kV, air ± 8 kV
- EN 61000-4-3 RF-Field & GSM : 10 V/m
- EN 61000-4-4 Burst : ± 2 kV
- EN 61000-4-5 Surge : asym./symm. ± 500 V (DC input)  
: asym. ± 1 kV (Signal connections)
- EN 61000-4-6 HF-asymmetric : 10 V
- EN 61000-4-8 Magnetic field 50 Hz : 30 A/m
- EN 55011 Emission : QP 30 dBµV/m (30 - 230 MHz)  
: QP 37 dBµV/m (230 - 1000 MHz) (class B)

**Ambient conditions**

- Operating temperature : 0 °C ... +55 °C
- Storage temperature : -25 °C ... +70 °C
- Enclosure type according to EN 60529 : IP67

**Please note:**

The Cube67 field bus system is very robust and due to the high protection class IP67 it is protected from dust, dirt, and most liquids without an additional housing. Cube 67 is specially designed for harsh industrial applications directly in machines and systems. The field bus system is not suitable for outdoor use, continuous operation in liquids or high pressure wash downs.

**Mechanical ambient conditions**

- Oscillation according to EN 60068 Part 2-6 : 10 – 58 Hz; const. amplitude 0.35 mm  
: 58 – 150 Hz; const. acceleration 15 g
- Shock according to EN 60068 Part 2-27 : Amplitude 50 g, 11 ms duration

**Connection possibilities**

- Internal system connection In : M12 male plug connector 6-pin
- Sensor : 8 x M8 female connector 3-pin

**Miscellaneous**

- Dimensions (L x W x H) in mm : 126 x 30 x 34,5 mm
- Mounting dimension in mm : 75 ± 0.5 mm
- Weight : Approx. 155 g

**Bus data**

- Transfer protocol : internal System
- Transfer rates : 1 Mbaud
- Addressing : automatic


|      |                   |          |      | Idx              | Datum    | Gepr. | <b>Data sheet</b>     |       |
|------|-------------------|----------|------|------------------|----------|-------|-----------------------|-------|
|      |                   |          |      | a                | 10.04.03 | RBa   | Cube67 DI8 C 8xM8     |       |
| f    | ATEX entfällt     | 23-06-15 | el   | f                | 23-06-15 | el    |                       |       |
| e    | Note eingefügt    | 17.10.12 | sb   | Ges              |          |       |                       |       |
| d    | ATEX + Norm       | 09.03.06 | M.H. |                  |          |       |                       |       |
| c    | EN 50178 entfällt | 05.11.04 | as   |                  |          |       | <b>Art.-No. 56622</b> | Blatt |
| b    | EU. Norm          | 27.05.04 | as   |                  |          |       | 1                     |       |
| Idx. | Änderung          | Datum    | Nam  |                  |          |       | 2 Bl.                 |       |
| a    | Erstausgabe       | 10.04.03 | RBa  | 56622_db_e_f.doc |          |       |                       |       |

### Power supply

|   |   |
|---|---|
| Operation voltage $U_B$ and Sensor power supply 24VIN | : 24 V DC (must always be connected)  |
| Current per PIN                                       | : max. 4 A  |
| Operation voltage range                               | : 18 ... 30 V DC  |
| Current consumption (without inputs)                  | : $\leq$ 30 mA  |
| Sensor supply   | : max. 200 mA per socket  |
| Short circuit protection for sensors                  | : Multi-fuse,<br>up to 100 mA load: Automatic start-up<br>from 100 mA load: A reset is required |
| Multi-fuse reaction time (time to trip)               | : 1s at $I_K \geq 1$ A and 23°C   |
| Connector   | : M12 (max. 0,75 mm <sup>2</sup> )  |
| Reverse polarity protection, inputs                   | : Yes   |

### Inputs / Diagnosis

|                              |                      |
|------------------------------|----------------------|
| Delay time for signal change | : 2 up to 5 ms       |
| Input characteristics        | : EN 61131-2, Type 2 |

|      |                   |          |      | Idx   | Datum    | Gepr. | <b>Data sheet</b> |            |
|------|-------------------|----------|------|---|----------|-------|-------------------|------------|
|      |                   |          |      | a   | 10.04.03 | RBa   | Cube67 DI8 C 8xM8 |            |
| f    | ATEX entfällt     | 23-06-15 | el   | f   | 23-06-15 | el    |                   |            |
| e    | Note eingefügt    | 17.10.12 | sb   | Ges   |          |       |                   |            |
| d    | ATEX + Norm       | 09.03.06 | M.H. |   |          |       |                   |            |
| c    | EN 50178 entfällt | 05.11.04 | as   |  |          |       | Art.-No. 56622    | Blatt<br>2 |
| b    | EU. Norm          | 27.05.04 | as   |   |          |       |                   |            |
| Idx. | Änderung          | Datum    | Nam  |   |          |       |                   |            |
| a    | Erstausgabe       | 10.04.03 | RBa  | 56622_db_e_f.doc  |          |       |                   | 2 Bl.      |